

3-inch Fixed Dome Junction Box

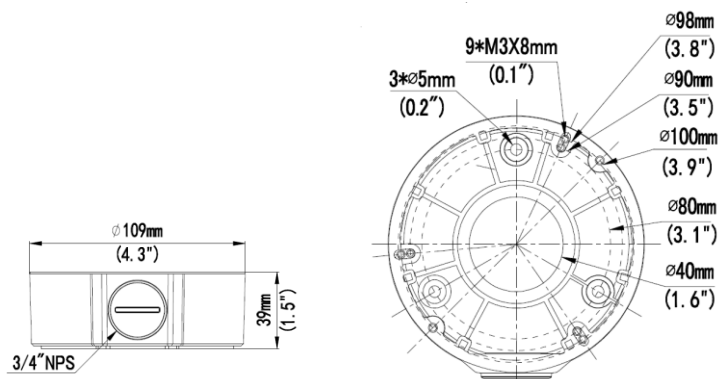
TR-JB03-D-IN



Specifications

Bracket	TR-JB03-D-IN
Application	Junction box for IPC32X Series fixed dome and mini dome camera
Dimensions	Φ109mmx39mm (4.3" x1.5")
Weight	0.2kg(0.44lb)
Material	Aluminum alloy

Dimensions



Zhejiang Uniview Technologies Co.,Ltd.

South Tower, Building 10, Wanlun Science Park, 88 Jiangling Road, Hangzhou, P.R.China 310051

Email: overseasbusiness@uniview.com; globalsupport@uniview.com

<http://www.uniview.com>

©2015 Zhejiang Uniview Technologies Co.,Ltd. All rights reserved.

*Product specifications and availability are subject to change without notice.