

# CHIME MICROPHONE

# EC-100M

Thank you for purchasing TOA's Chime Microphone.  
Please carefully follow the instructions in this manual to ensure long, trouble-free use of your equipment.

## 1. GENERAL DESCRIPTION

TOA's EC-100M Chime Microphone features a soft, comfortable chime tone suited for paging announcements. Its operation is as easy as those of normal microphones.

## 2. FEATURES

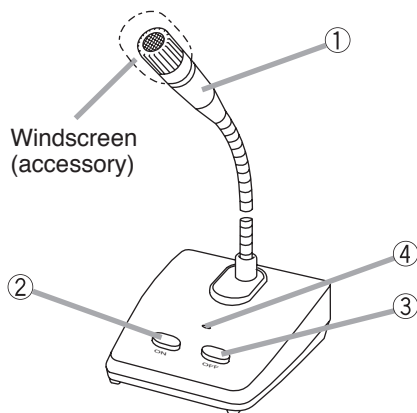
- Pre-paging chime of 4-tone up, and post-paging chime of 4-tone down.
- The microphone can be turned on or off by simply pressing a button.
- Long battery life. Two R14P batteries keep the unit in operation for about 2 years (provided the unit is used 150 times per day).

## 3. BEFORE USING THE UNIT

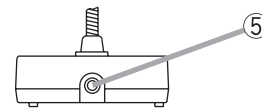
Prepare two R14P batteries to operate the unit.

## 4. NOMENCLATURE AND FUNCTIONS

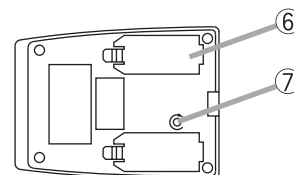
[Top]



[Rear]



[Bottom]



### 1. Microphone

Close-talk type unidirectional dynamic microphone.  
The gooseneck shaft facilitates positioning of the microphone for the optimum acoustic effect.

### 2. Microphone ON Key

Pressing this key sounds a 4-tone chime (up) and turns on the microphone.

### 3. Microphone OFF Key

Pressing this key sounds a 4-tone chime (down) and turns off the microphone.

### 4. In-Use Lamp

Lights when the microphone is turned on. If this lamp does not light even when the Microphone ON Key is pressed, replace the batteries.

### 5. Output Jack

Chime tone and microphone signals are provided from this 600 Ω, unbalanced output jack. Using the supplied cord, connect this jack to an amplifier.

### 6. Battery Compartment

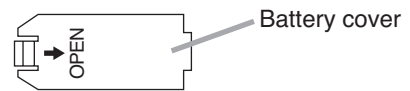
Place an R14P battery. (2 places)

### 7. Chime Volume Control [CHIME VOL.]

Turning the control clockwise using the supplied screwdriver will increase the chime volume.

## 5. BATTERY INSERTION

- Step 1.** Slide the battery cover (2 places) on the bottom surface in the arrow direction to remove it.
- Step 2.** Noting the polarity, insert the battery.
- Step 3.** Replace the battery cover.



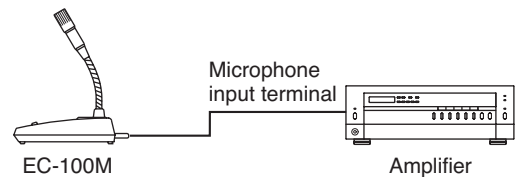
## 6. BATTERY REPLACEMENT

The EC-100M is designed to save power and the battery life is about 2 years when used 150 times a day. It is highly recommended that the batteries be replaced every 2 years to avoid failures resulting from battery leakage. The batteries also need to be replaced when the in-use lamp does not light even if the Microphone ON Key is pressed.

**Note:** Be sure to replace both batteries with new ones.

## 7. CONNECTION

- Step 1.** Set the amplifier's microphone volume control to the minimum position.
- Step 2.** Using the supplied cord, connect the unit's rear panel-mounted output jack to the amplifier's microphone input terminal.
- Note:** When the supplied cord is too short to cover the wiring distance, prepare the unbalanced-phone plug cable separately.



## 8. OPERATION

- Step 1.** Press the Microphone ON Key.  
A 4-tone chime (up) will sound and the in-use lamp light, turning on the microphone.
- Step 2.** Make an announcement.  
Keep your mouth 5 – 10 cm away from the microphone and speak normally for the best possible sound reproduction. Adjust the microphone orientation for the best position by turning its gooseneck shaft.
- Step 3.** After announcement completion, press the Microphone OFF Key.  
The in-use lamp will be go out and a 4-tone chime (down) sounded. Be sure to press the OFF Key after announcement completion. Failure to do this leaves the microphone on, shortening the battery life.
- Note:** A chime does not sound  
when the Microphone ON Key is pressed during an announcement,  
or  
when the Microphone OFF Key is pressed while the microphone is switched off.

## 9. USING THE CHIME VOLUME CONTROL

When the chime and microphone volumes are not balanced well, adjust the chime volume control located on the bottom surface using the supplied screwdriver. The chime volume increases as the control is rotated clockwise. Ensure that the screwdriver is inserted perpendicular to the bottom surface and that it is not pushed strongly.

## 10. SPECIFICATIONS

Power Source	3 V DC (R14P x 2)
Current Consumption	2 mA during chime and microphone operation 10 $\mu$ A at no operation
Chime	4-tone chime (up/down)
Microphone	Unidirectional dynamic type
Microphone Frequency Response	200 Hz – 10 kHz
Output	Chime signal: $-45$ dB*, 600 $\Omega$ , unbalanced (chime volume control set to maximum position) Microphone: $-53$ dB, 600 $\Omega$ , unbalanced (1 kHz, 0 dB = 1 V/Pa)
Finish	Case: Zinc die casting, metallic gold
Weight	770 g

**Note:** The design and specifications are subject to change without notice for improvement.

\* 0 dB = 1 V

### • Accessories

- Cord (unbalanced phone-to-phone plug, 2 m) ..... 1  
Screwdriver (for control adjustment) ..... 1  
Windscreen ..... 1