

4MP Fixed Dome Network Camera

IPC324LR3-VSPF28(40)



Key Features

Optics

- Day/night functionality
- SmartIR, up to 30 m (98 ft) IR distance
- Car-grade LEDs, brighter and uniform light compensation
- 2D/3D DNR (Digital Noise Reduction)

Compression

- Ultra 265, H.265, H.264, MJPEG
- Triple streams
- ROI (Region of Interest)
- Customized OSD

Network

- ONVIF Conformance

Structure

- Wide temperature range: -30°C to 60°C (-22°F to 140°F)
- Wide input voltage range of $\pm 25\%$
- 2-Axis
- IK10 vandal resistant

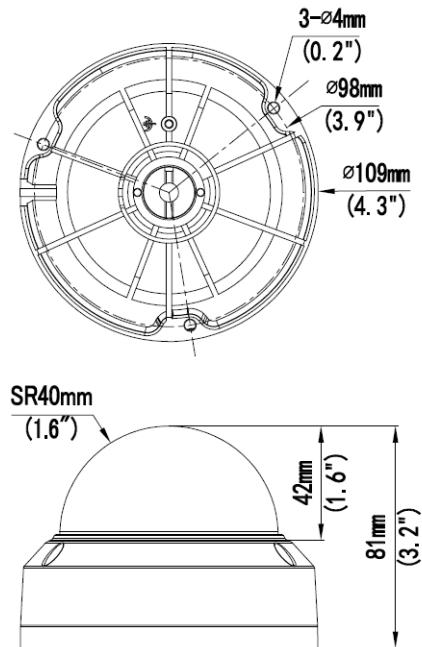
- IP66

Specifications

| | IPC324LR3-VSPF28 | IPC324LR3-VSPF40 |
|-------------------------|---|------------------|
| Camera | | |
| Sensor | 1/3", progressive scan ,4 megapixel, CMOS | |
| Lens | 2.8 mm@ F1.8 | 4.0 mm@ F1.8 |
| Angle of View (H) | 104.4° | 78.9° |
| Shutter | Auto/Manual, 1/6~1/100000 s | |
| Minimum Illumination | Colour: 0.02 Lux (F1.8, AGC ON) 0 Lux with IR | |
| Day/Night | IR-cut filter with auto switch (ICR) | |
| Digital noise reduction | 2D/3D DNR | |
| S/N | >52dB | |
| IR Range | Up to 30m (98 ft) IR range | |
| Defog | Digital Defog | |
| WDR | DWDR | |
| Video | | |
| Video Compression | Ultra 265,H.265, H.264,MJPEG | |
| H.264 code profile | Baseline profile, Main Profile, High Profile | |
| Frame Rate | Main Stream:4MP (2592×1520): Max. 20 fps, 4MP (2560×1440): Max. 25 fps, 3MP (2048×1520): Max. 30 fps,2MP(1920×1080) : Max. 30; Sub Stream:2MP (1920×1080): Max. 30 fps; Third Stream:D1(720×576) : Max. 30fps | |
| HLC | Supported | |
| BLC | Supported | |
| 9:16 Corridor Mode | Supported | |
| OSD | Up to 8 OSDs | |
| Privacy Mask | Up to 8 areas | |
| ROI | Up to 8 areas | |
| Motion Detection | Up to 4 areas | |
| General Function | Watermark, IP Address Filtering, Tampering Alarm, Access Policy, ARP Protection, RTSP Authentication, User Authentication | |
| Network | | |
| Protocols | IPv4, IGMP, ICMP, ARP, TCP, UDP, DHCP, PPPoE, RTP, RTSP, RTCP, DNS, DDNS, NTP, FTP, UPnP, HTTP, HTTPS, SMTP, 802.1x, SNMP | |
| Compatible Integration | ONVIF(Profile S), API | |
| Interface | | |
| Network | 1 RJ45 10M/100M Base-TX Ethernet | |
| General | | |
| Power | 12 V DC±25%, PoE (IEEE802.3 af) | |
| | Power consumption: Max 5.0W | |
| Dimensions (Ø x H) | Φ108.5 x 81 mm (Ø4.28" x 3.2") | |
| Weight | 0.3 kg (0.66 lb) | |
| Working Environment | -30°C ~ +60°C (-22°F ~ 140°F), Humidity :10%~95% RH(non-condensing) | |

| | |
|--------------------|------|
| Ingress Protection | IP66 |
| Vandal Resistant | IK10 |

Dimensions



Zhejiang Uniview Technologies Co., Ltd.

South Tower, Building 10, Wanlun Science Park, 88 Jiangling Road, Hangzhou, P.R.China 310051

Email: overseasbusiness@uniview.com; globalsupport@uniview.com

<http://www.uniview.com>

©2017 Zhejiang Uniview Technologies Co., Ltd. All rights reserved.

*Product specifications and availability are subject to change without notice.