

2MP IR Network Indoor MiniPTZ Dome Camera

IPC6412LR-X5P



Key Features

Optics

- Day/night functionality
- Smart IR , up to 30 m (98 ft) IR distance
- Optical glass window with higher light transmittance
- IR anti-reflection window to increase the infrared transmittance
- 2D/3D DNR (Digital Noise Reduction)

Compression

- Ultra 265,H.265, H.264, MJPEG
- Triple streams
- ROI (Region of Interest)

Network

- ONVIF Conformance

Structure

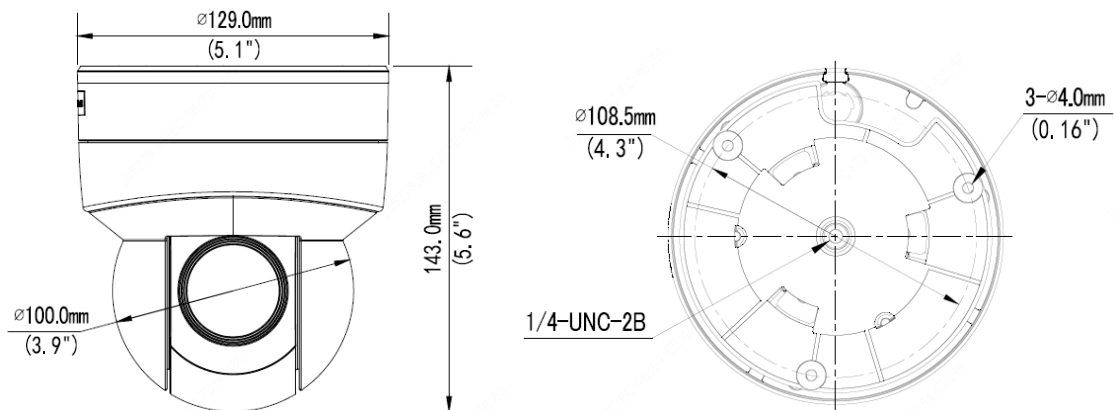
- Support PoE power supply
- Wide temperature range: -10°C to 50°C (14°F to 122°F)
- Wide voltage range of ±25%

Specifications

IPC6412LR-X5P																
Camera																
Sensor	1/2.9" progressive scan, 2.0 megapixel, CMOS															
Lens	2.7~13.5mm, AF automatic focusing and motorized zoom lens															
DORI Distance	<table border="1"> <thead> <tr> <th>Lens</th> <th>Detect(m)</th> <th>Observe(m)</th> <th>Recognize(m)</th> <th>Identify(m)</th> </tr> </thead> <tbody> <tr> <td>2.7mm</td> <td>50.6(166.1ft)</td> <td>20.3(66.4ft)</td> <td>10.1(33.2ft)</td> <td>5.1(16.6ft)</td> </tr> <tr> <td>13.5mm</td> <td>176.8(580.0ft)</td> <td>70.7(232.0ft)</td> <td>35.4(116.0ft)</td> <td>17.7(58.0ft)</td> </tr> </tbody> </table>	Lens	Detect(m)	Observe(m)	Recognize(m)	Identify(m)	2.7mm	50.6(166.1ft)	20.3(66.4ft)	10.1(33.2ft)	5.1(16.6ft)	13.5mm	176.8(580.0ft)	70.7(232.0ft)	35.4(116.0ft)	17.7(58.0ft)
	Lens	Detect(m)	Observe(m)	Recognize(m)	Identify(m)											
	2.7mm	50.6(166.1ft)	20.3(66.4ft)	10.1(33.2ft)	5.1(16.6ft)											
13.5mm	176.8(580.0ft)	70.7(232.0ft)	35.4(116.0ft)	17.7(58.0ft)												
Angle of View (H)	29.1°~104.3°															
Angle of View (V)	16°~55.1°															
Angle of View (O)	34.5°~142.9°															
Shutter	Auto/Manual, shutter time: 1 s ~ 1/100000 s															
Minimum Illumination	Colour: 0.005 lux (F1.2,AGC ON) 0 lux with IR															
Iris	F1.2															
Day/Night	IR-cut filter with auto switch (ICR)															
Digital noise reduction	2D/3D DNR															
S/N	>52 dB															
IR Range	UP to 30m (98ft)															
WDR	DWDR															
Video																
Video Compression	Ultra 265,H.265, H.264, MJPEG															
H.264 code profile	Baseline profile, Main Profile, High Profile															
Frame Rate	Main Stream:1080P (1920×1080):Max. 30 fps; Sub Stream:4CIF (704×576):Max. 30 fps; Third Stream: 4CIF (704×576): Max. 30 fps															
BLC	Supported															
OSD	Up to 4 OSDs															
Privacy Mask	Up to 24 areas															
ROI	Up to 2 areas															
Motion Detection	Up to 4 areas															
Storage																

Edge Storage	Micro SD, up to 256 GB
Network Storage	ANR
Network	
Protocols	IPv4, IGMP, ICMP, ARP, TCP, UDP, DHCP, RTP, RTSP, RTCP, DNS, DDNS, NTP, FTP, UPnP, HTTP, HTTPS, SMTP, SSL
Compatible Integration	ONVIF(Profile S, Profile G, Profile T), API
Pan & Tilt	
Pan Range	0° ~ 350°
Pan Speed	0.1°/s ~ 60°/s
	Preset speed: 60°/s
Tilt Range	0° ~ 90°
Tilt Speed	0.1° ~ 50°/s
	Preset speed: 50°/s
Number of Presets	1024
Home Position	Supported
Interface	
Network	1 RJ45 10M/100M Base-TX Ethernet
Built-in Mic	Supported
General	
Power	DC 12V±25%, PoE (IEEE802.3 af)
	Power consumption: Max 12W
Dimensions (∅ x H)	∅129mm×143mm(∅5.07" x5.63")
Weight	0.75kg(1.65lb)
Working Environment	-10°C ~ +50°C (14°F ~ 122°F), Humidity: ≤95% RH(non-condensing)
Reset Button	Supported

Dimensions



Zhejiang Uniview Technologies Co., Ltd.

South Tower, Building 10, Wanlun Science Park, 88 Jiangling Road, Hangzhou, P.R.China 310051

Email: overseasbusiness@uniview.com; globalsupport@uniview.com

<http://www.uniview.com>

©2019 Zhejiang Uniview Technologies Co., Ltd. All rights reserved.

*Product specifications and availability are subject to change without notice.