

# QND-6011

2МП H.265 сетевая купольная камера(Q mini)



## Key Features

- Макс. разрешение 2 Мп (1920 x 1080)
- Объектив 2,8 мм с постоянным фокусом
- 0,03 лк (цветн.), WRD (120 дБ)
- До 30 кад/с при 2 Мп (H.265 / H.264)
- Поддержка кодеков H.265, H.264, MJPEG, многоканальная передача видео
- Обнаружение внешнего воздействия, движения, расфокусировки
- Слот для карт памяти micro SD/SDHC/SDXC (макс. 128 Гб)
- Функция обзора коридоров, поддержка WiseStream II
- Функция коррекции искажения объектива, технология PoE

## Compatible Accessories (Optional)



SBP-300WMW1



SBP-300PMW



SBP-300KMW



SBP-300LMW



SBP-300NBW



SBP-300BW



SBP-300WMW



SPG-IND16B



SBP-300CMW

<b>Video</b>	
Imaging Device	1/2.8" 2MP CMOS
Resolution	1920x1080, 1280x960, 1280x720, 800x600, 800x448, 720x576, 720x480, 640x480, 640x360
Max. Framerate	H.265/H.264: Max. 30fps/25fps(60Hz/50Hz) MJPEG: Max. 15fps/12fps(60Hz/50Hz)
Min. Illumination	Color: 0.03Lux(F2.0, 1/30sec)
<b>Lens</b>	
Focal Length (Zoom Ratio)	2.8mm fixed focal
Max. Aperture Ratio	F2.0
Angular Field of View	H: 113.7 / V: 61.5° / D: 134.5°
Focus Control	Fixed
<b>Pan / Tilt / Rotate</b>	
Pan / Tilt / Rotate Range	0~350 / 0~69 / 0~355
<b>Operational</b>	
Camera Title	Displayed up to 85 characters
Day & Night	Auto(Electrical)
Backlight Compensation	BLC, WDR, SDR
Wide Dynamic Range	120dB
Digital Noise Reduction	SSNR
Motion Detection	4ea, polygonal zones
Privacy Masking	6ea, rectangular zones
Gain Control	Low / Middle / High
White Balance	ATW / AWC / Manual / Indoor / Outdoor
LDC	Support
Electronic Shutter Speed	Minimum / Maximum / Anti flicker (1/5~1/12,000sec)
Video Rotation	Flip, Mirror, Hallway view(90/270)
Analytics	Defocus detection, Motion detection, Tampering
Business Intelligence	People counting
Alarm Triggers	Analytics, Network disconnect
Alarm Events	File upload via FTP and e-mail Notification via e-mail SD/SDHC/SDXC or NAS recording at event triggers
<b>Network</b>	
Ethernet	RJ-45(10/100BASE-T)
Video Compression	H.265/H.264: Main/High, MJPEG
Smart Codec	WiseStream II
Bitrate Control	H.264/H.265: CBR or VBR MJPEG: VBR

<b>Streaming</b>	Unicast(6 users) / Multicast Multiple streaming(Up to 3 profiles)
<b>Protocol</b>	IPv4, IPv6, TCP/IP, UDP/IP, RTP(UDP), RTP(TCP), RTCP, RTSP, NTP, HTTP, HTTPS, SSL/TLS, DHCP, FTP, SMTP, ICMP, IGMP, SNMPv1/v2c/v3(MIB-2), ARP, DNS, DDNS, QoS, UPnP, Bonjour, LLDP
<b>Security</b>	HTTPS(SSL) Login Authentication Digest Login Authentication IP Address Filtering User access log 802.1X Authentication(EAP-TLS, EAP-LEAP)
<b>Application Programming Interface</b>	ONVIF Profile S/G/T SUNAPI(HTTP API) Wisenet open platform

### General

<b>Webpage Language</b>	English, Korean, Chinese, French, Italian, Spanish, German, Japanese, Russian, Swedish, Portuguese, Czech, Polish, Turkish, Dutch
<b>Web Viewer</b>	Supported OS: Windows 7, 8.1, 10, Mac OSx10.12, 10.13, 10.14 Recommended Browser: Google Chrome Supported Browser: MS Explore11, MS Edge, Mozilla Firefox(Window 64bit only), Apple Safari(Mac OSxonly)
<b>Edge Storage</b>	Micro SD/SDHC/SDXC 1slot 128GB
<b>Memory</b>	512MB RAM, 256MB Flash

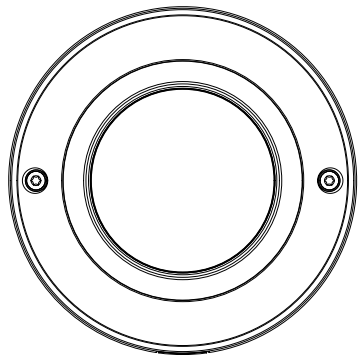
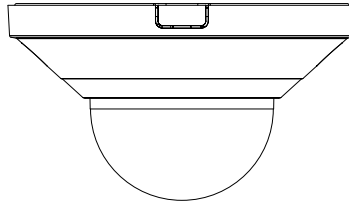
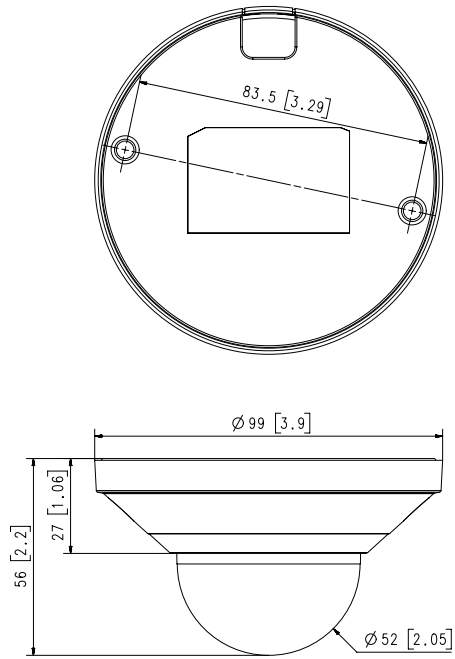
### Environmental & Electrical

<b>Operating Temperature / Humidity</b>	-10°C ~ +55°C(-14°F ~ +131°F) / Less than 90% RH
<b>Storage Temperature / Humidity</b>	-30°C ~ +60°C(-22°F ~ +140°F) / Less than 90% RH
<b>Certification</b>	IP42, IK08
<b>Input Voltage</b>	PoE(IEEE802.3af, Class2)
<b>Power Consumption</b>	PoE: Max 4.80W, typical 2.80W

### Mechanical

<b>Color / Material</b>	White / Plastic
<b>RAL Code</b>	RAL9003
<b>Product Dimensions / Weight</b>	Ø99.0x56.0mm(Ø3.9x2.2"), 145g(0.32 lb)

- The latest product information / specification can be found at [hanwha-security.com](http://hanwha-security.com)
- Design and specifications are subject to change without notice.
- Wisenet is the proprietary brand of Hanwha Techwin, formerly known as Samsung Techwin.



milimeter (inch)