



EN

Instruction Manual

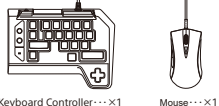
Thank you for purchasing this product. Before using this product please read the instructions carefully. After reading the instruction sheet, please keep it with you for reference.

Although the instruction manual states that the products is for the PlayStation4 system, it is also compatible with the PlayStation3 system. Please also refer to our website (<http://www.hori.jp/support/>) for additional information.

Caution

- Keep this product out of the reach of children under 3.
- Keep this product away from small children. Seek medical advice immediately if it is swallowed.
- Keep the controller away from dusty or humid areas.
- Do not apply strong impact or weight on the product.
- Do not pull roughly or bend the cable of the controller.
- Please do not pull on the buttons of this product.
- Never disassemble, repair or modify this product.
- If product needs cleaning, use only a soft dry cloth. Do not use any chemical agents like benzine or thinner.
- Do not use this product for anything other than its intended purpose. We are not responsible for any accidents or damages in the event of use other than the intended purpose.
- Since it may cause failure, do not touch the stereo headphone/microphone/USB mouse terminals directly.
- Please do not look directly into the red optical sensor. There is the possibility for eye damage.

Includes



Keyboard Controller...X1 Mouse...X1

Compatible models

PlayStation®4 / PlayStation®3 / PC

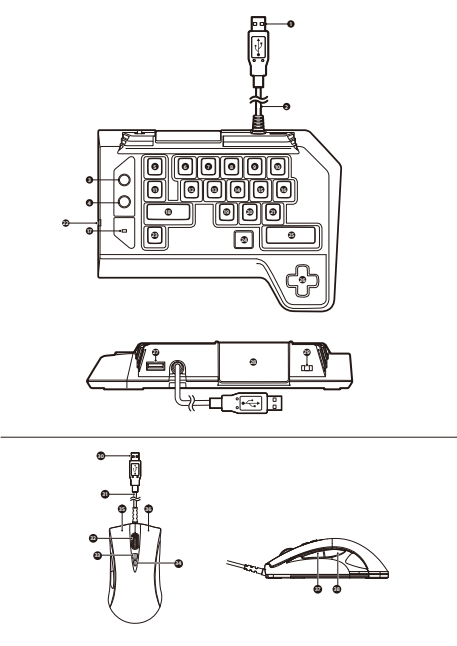
Important
Before using this product with PlayStation4 and PlayStation3, be sure to check the instruction manual of each hardware console.

Depending on the console software version, not all functions may be available. In that case, please upgrade to the latest system software before use. PlayStation 4 Ver. 4.23 or later recommended, PlayStation 3 Ver. 2.80 or later recommended. Please refer to your console's user manual for system software version check and update instructions.

This product does not feature light bar, motion sensors. In addition, this product does not support features other than those described. Please note this product may not support some PlayStation®4 and PlayStation®3 standard software. For details, please visit our website (<http://www.hori.jp/>) or contact us.

*This product will not work on the PlayStation2, PlayStation, or PS one.
*This product is not a wireless controller or wireless mouse.

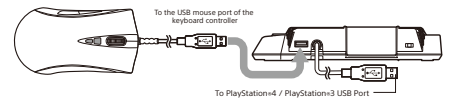
Part names



How to connect

- Insert the USB connector of the mouse into the USB port of the keyboard controller. In addition to the included mouse, other USB compliant mice may be used*.
- Please insert the USB connector of the controller into the USB port of the PlayStation4. *Please set the PS4/PS3™ System Toggle Switch to the desired console before connecting the product.
- Once the system is turned on, press and hold the PS button on the HORI controller.
- Select a User Profile with the HORI controller to activate the controller as Player 1 or Player 2. *Select "Guest" or a different User Profile with the HORI controller to activate the controller as Player 2.

- If your controller is not being recognized by your PlayStation4, please try the following steps
 - Check to see if your console has the latest updates on your firmware and software.
 - Restart your console.
 - Unplug and re-play your HORI controller into your PlayStation4.
 - Follow steps 1-3 of "How to Connect"



PlayStation 4 / PlayStation 3 System Toggle Switch

The Platform Toggle Switch toggles between PlayStation4 and PlayStation3 compatibility. Switch the toggle switch to the desired platform before connecting.



USB port

This product has one USB port specifically for connecting a mouse.

- Please do not plug in anything besides a mouse.
- There is no guarantee that anything besides a mouse will function.
- Because there is protection against excess electrical current use, do not plug in any type of USB memory or USB charger.
- Please note that we cannot be held responsible for any type of data loss due to user misuse.
- *This product uses up to 200mA.
- *If a connected product is not functioning properly, it may be due to excess electrical current. Please try unplugging the mouse from the keyboard and the PlayStation4 console and reconnecting everything again. If it still does not function, please use another device.

About the Mouse

The included mouse uses an infrared sensor.

- *The infrared sensor may not function properly on top of the following materials.
 - Transparent material such as glass
 - Reflective material such as a mirror
 - Red color material
 - Mesh or any similarly patterned material
- Please do not look directly into the red optical sensor. There is the possibility for eye damage.

Expansion port (PlayStation 4 only)

Connect the headset into the Expansion port. Before placing a headset onto your ears, make sure to lower the volume completely. Headset usage at high volumes for extended periods of time may result in permanent hearing damage. It is important to keep headphones at a safe and comfortable level.

How to use the TAC Software

"HORI Device Manager"

System Requirements
- IOS: 8.0 or later
- Android: 4.4 or later

<How to download>
For IOS
①Search for "HORI" or "HORI CO., LTD." in the APP Store.
②Install "HORI Device Manager".
For Android
①Search for "HORI" or "HORI CO., LTD." in Google Play.
②Install "HORI Device Manager".

*Make sure the developer is "HORI CO., LTD."
*Make sure Bluetooth on your equipment is turned on. Press "Allow" when prompted access to location, photo, media, file. Pairing is completed by press "Search" and touching the item found online.

The following functions can be set using the TAC Software.

- Assign Mode (Button Assignment) Function
- Mouse Acceleration Adjustment
- Mouse Acceleration Adjustment
- DP / L Toggle Switch
- Deadzone Adjustment
- DS (Aim Down Sight) Deadzone Adjustment
- DS Lock Feature
- Turn On Backlight
- Mouse (Button assign, sensitivity settings)
- Mouse Correction Function
- Acceleration Curve Function

Troubleshooting

- Pressing the PS button does not turn on the PlayStation4 system.
The PS button on this product will not turn on the PlayStation4 system. Please press the PS button on the wireless controller (DUALSHOCK®4) or press the power button on the PlayStation4 system.
- The PS button does not respond during gameplay.
Please check the PS4/PS3 System Toggle Switch on this product. Make sure it is set to "PS4" for PlayStation4 and "PS3" for PlayStation3. Set to "PS3" when using PC (gamepad mode) and "KBD" when using PC (Keyboard mode).
- Controls respond in the home screen but not during gameplay.
For the PlayStation4, controls will not respond if the user account is different from the one used at the start of the game. Make sure to always log in with the same user account.
- The controller will not respond upon pressing the PS button.
You must first pair this controller with the PlayStation4 system using a wireless controller (DUALSHOCK®4).

PlayStation 4	PlayStation 3	PC (Gamepad mode)	PlayStation 4 / PC (Keyboard mode)
Connector			
Controller cable (3.0m / 9.8ft)			
PS Button*	GUIDE Button	Windows Key	
SHARE Button	SELECT Button	BACK Button	Enter Key *
OPTIONS Button *	START Button *	ESC Key *	
Left analog stick (L) *	Y Button *	Q Key *	
Left analog stick (R) *	X Button *	W Key *	
Right analog stick (L) *	A Button *	E Key *	
Right analog stick (R) *	X Button *	R Key *	
Quick Button *	A Button *	T Key *	
Left analog stick (+) *	A Key *	TAB Key *	
Left analog stick (L) *	A Key *	A Key *	
Left analog stick (R) *	S Key *	D Key *	
Snipe Button *	F Key *	F Key *	
RT Button *	R2 Button *	RB Button *	G Key *
Profile LED *			
L3 Button *	LSB Button *	LEFT SHIFT Key *	
FN Button*			
Button *	B Button *	C Key *	
R3 Button *	RSB Button *	V Key *	
Extension port			
Button *	B Button *	LEFT CTRL key *	
Walk Button *	A Button *	Z Key *	
X Button *	A Button *	SPACE Key *	
Directional Pad			
W/A/S/D Key *			
USB port			
Touch pad functionality *	X Button *	A Button *	M Key *
PS4™ / PS3™ System Toggle Switch			
Connector			
Mouse Cable (1.0m / 3.3ft)			
Sensitivity Up			
Sensitivity Down			
R2 Button *	RT Button *	RT Button *	Left click *
L2 Button *	L1 Button *	L1 Button *	Right click *
L1 Button *	L2 Button *	LB Button *	Forward *
RT Button *	R2 Button *	RB Button *	Back *

Mouse Sensitivity Adjustment

Mouse sensitivity can be adjusted with 4 increments.

<How to set>
Press the (+) button to increase or (-) button to decrease dpi.

DPI	1600	2000	2800	3200
-----	------	------	------	------

Sensitivity Up

Sensitivity Down

FN Button

The function of the Analog Stick and Direction Keys are switched as below while the FN key is held down.

Default

Directional Pad

While holding down on the FN Button

FN Button — Left analog stick

Quick Button

Pressing the quick button maximizes mouse output value. Movement of the mouse translates to maximum lateral movement of the first person view. Select from 4 settings within the TAC Software to adjust maximum movement speed.

Quick Button

Walk Button

Pressing the left analog stick keys while holding the Walk button is similar to slightly tilting the left analogstick of a conventional controller.

Sensitivity can be adjusted using the TAC software.

Walk Button

Snipe Button

Hold the Snipe Button to temporarily reduce mouse sensitivity for increased accuracy.

Sensitivity can be adjusted using the TAC software.

Snipe Button

Touchpad Functionality

This product features DUALSHOCK®4 Touchpad functionality. The area of the touch pad is as shown below.

PlayStation 3	PC (Gamepad mode)	PC (Keyboard mode)
X Button	A Button	M Key
X Button	A Button	M Key

Defaults (button assign, sensitivity settings)

How to reset to default settings (all profiles)
Resets each button and each sensitivity setting to its default state in all profiles.

<How to switch>
1. Press and hold down the FN button and PS button simultaneously for 3-5 seconds.
2. Reset is complete once the profile LED flashes.

PS Button

Profiles LED

FN Button

Assign Mode (Button Assignment) Function

Each button function can be changed using the TAC Software.

Buttons marked with * in "Part names" can be assigned

Button functions that can be assigned

PlayStation 4	PlayStation 3	PC (Gamepad mode)	PC (Keyboard mode)
Analog stick: L, R, L2, R2, L3, R3, OPTIONS, Walk, Quick, Snipe, Touch pad functionality, Menu, LMB, RMB, NCB (No function) Left analog stick: L, R, L2, R2, L3, R3, * Right analog stick: L, R, L2, R2, L3, R3, * Right analog stick: L, R, L2, R2, L3, R3, *	Analog stick: L, R, L2, R2, L3, R3, START, Walk, Quick, Snipe, FN, NCB (No function) Left analog stick: L, R, L2, R2, L3, R3, * Right analog stick: L, R, L2, R2, L3, R3, * Right analog stick: L, R, L2, R2, L3, R3, *	Directional Pad: L, R, L2, R2, L3, R3, * Left analog stick: L, R, L2, R2, L3, R3, * Right analog stick: L, R, L2, R2, L3, R3, *	Alphabet: A-Z Number: 0-9 Function: FN-F12 Special key: Esc, Tab, Caps Lock, Shift, Ctrl, Alt, Space, Enter, Back Space, Delete Analog Stick: L, R Other: Print Screen, Scroll Lock, Pause/Break, Insert, Home, Delete, End, Page Up, Page Down Numeric keypad: Num Lock, Num, Num/Lock, Num, Num, Num, Num, Num, Num, Num, Num MC (No function), FN Mouse function: Right Mouse Button, Left Mouse Button, Scroll Wheel, Forward, Back, Scroll up, Scroll down

Profile Change Function

Button layouts for the PlayStation4, PlayStation3 and PC (Gamepad mode, Keyboard mode) can be saved to 8 different profiles. Profiles can easily be switched.

Profile	How to set	Profile LED
1	FN Button + 1	Light off
2	FN Button + 2	Green
3	FN Button + 3	Yellow
4	FN Button + 4	Red
5	FN Button + 5	Purple
6	FN Button + 6	Blue
7	FN Button + 7	Light blue
8	FN Button + 8	White

<How to switch>
1. While holding down on the FN button, press the corresponding button as shown in the chart.
2. Profile will be switched.

- The FN button function will also work even if it is assigned to another button.

THE FCC WANTS YOU TO KNOW
This equipment has been tested and found to comply with the limits for a Class B digital device, pursuant to Part 15 of the FCC Rules. These limits are designed to provide reasonable protection against harmful interference in a residential installation. This equipment does not cause harmful interference to radio or television reception, which can be determined by turning the equipment off and on, if the user is instructed by the manufacturer to do so.

The equipment operates on the same radio frequency band as other devices. Interference will not occur in a particular installation. If this equipment does cause harmful interference to radio or television reception, which can be determined by turning the equipment off and on, the user is instructed by the manufacturer to do so.

- Reorient or relocate the receiving antenna.
- Increase the separation between the equipment and receiver.

The normal function of the product may be disturbed by strong electro-magnetic interference. If so, simply reset the product to resume normal operation by following the instruction manual (How to connect). In case the function does not resume, please refer to an area which does not have electro-magnetic interference to use the product. The wires are not to be inserted into socket-outlets. Retain the packaging and manual for future reference.

PRODUCT DISPOSAL INFORMATION
Where you see this symbol on any of our electrical products or packaging, it indicates that the relevant electrical product or battery should not be disposed of as general household waste in Europe. To ensure the correct waste treatment of the product and battery, please dispose of them in accordance with any applicable local laws or requirements for disposal of electrical equipment or batteries. In so doing, you will help to conserve natural resources and improve standards of environmental protection in treatment and disposal of electrical waste. Applicable to EU countries only.

Warranty
For all warranty claims made within the first 30 days after purchase, please check with the retailer where the original purchase was made for details. If the warranty claim cannot be processed through the original retailer or for any other inquiries pertaining to our products, please address directly to HORI at enquiry@hori.jp.

Please retain contact information for future reference. The image on the packaging may differ from the actual product. The manufacturer reserves the right to change the product design or specifications without notice. HORI and HORI logo are registered trademarks of HORI.

*"PlayStation", "DUALSHOCK", "PS4" and "XBOX" are registered trademarks of Sony Interactive Entertainment Inc. All rights reserved. Licensed for sale in Europe, Africa, Middle East, Russia, India and Oceania. Not for sale elsewhere with PlayStation4.

Designed by HORI in Japan

Manual de instrucciones

Gracias por haber elegido este producto. Antes de usarlo, por favor, lee detenidamente el manual de instrucciones.

Aunque en el manual de instrucciones se indica que el producto está diseñado para el sistema PlayStation4, también es compatible con el sistema PlayStation3.

Advertencia



- Mantén este producto lejos del alcance de los niños menores de 3 años. Mantén este producto alejado de los niños pequeños.

Contenido



Teclado del controlador ··· X1 Ratón ··· X1

Plataformas compatibles

PlayStation®4 / PlayStation®3 / PC

Importante

Antes de utilizar este producto con la PlayStation4 o la PlayStation3, comprueba el manual de instrucciones de la consola empleada.

Según la versión del software de la consola, algunas funciones podrían no estar disponibles. En tal caso, actualiza el software a la versión más reciente antes de utilizar el producto.

Este producto no incluye barra luminosa ni sensores de movimiento. Asimismo, no incluye más funcionalidades que las especificadas.

*Este producto no es compatible con PlayStation2, PlayStation® o PS one. *Este producto no es un controlador o ratón inalámbrico.

Esquema

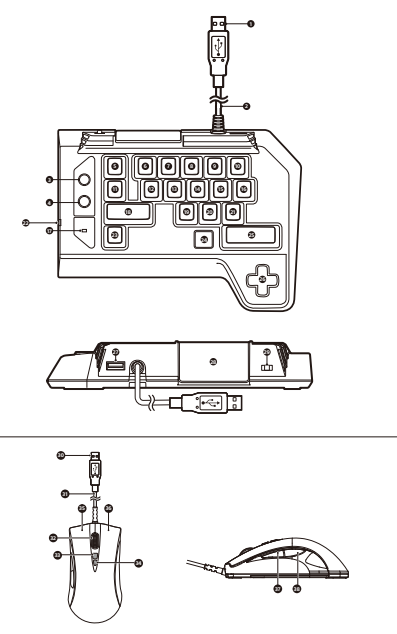


Table with 4 columns: PlayStation 4, PlayStation 3, PC (Modo Gamepad), and PlayStation 4 / PC (Modo Teclado). Rows list various buttons and their corresponding functions across different platforms.

Modo de conexión

- 1. Inserta el conector USB del ratón en el puerto USB del teclado del controlador. Es posible utilizar otros ratones compatibles además del incluido con el controlador.

- 2. Inicia el sistema y mantén pulsado el botón PS del controlador HORI. 3. Selecciona un perfil de usuario con el controlador HORI para activar este como Jugador 1 o Jugador 2.

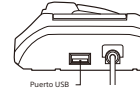
- Si tu PlayStation4 no reconoce el controlador, prueba los siguientes pasos: 1. Asegúrate de que la consola cuenta con las últimas actualizaciones del firmware y software.



Puerto USB

Este producto cuenta con un puerto USB destinado exclusivamente a conectar un ratón.

- * No conectes ningún dispositivo aparte de un ratón. * No se garantiza el funcionamiento de dispositivos que no sean un ratón.



Ratón

- El ratón incluido funciona mediante un sensor infrarrojo. * El sensor infrarrojo puede no funcionar adecuadamente si se utiliza sobre las siguientes superficies: Superficies transparentes, como el cristal.

Puerto de expansión (solo para PlayStation®4)

- Conecta los auriculares al puerto de expansión. Antes de colocar los auriculares, asegúrate de bajar el volumen al mínimo.



Funcionalidad Modo Assign (asignación de botones)

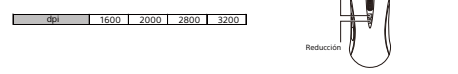
Se puede cambiar la función de cada botón mediante el Software TAC. Puede asignarse la función de aquellos botones con el símbolo en la sección "Esquema".

Table showing assignable functions for PlayStation 4, PlayStation 3, and PC (Modo Gamepad). It lists various buttons and their corresponding function icons.

Table showing PC (Modo Teclado) function assignments. It lists various keyboard keys and their corresponding controller button icons.

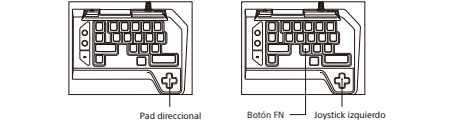
Ajuste de la sensibilidad del ratón

La sensibilidad del ratón se puede ajustar en 4 niveles distintos. < Para ajustarla > Pulsa el botón (-) para aumentar los dpi y el (+) para reducirlos.



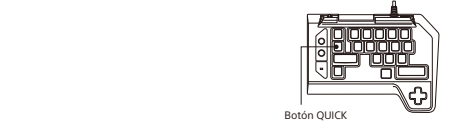
Botón FN

Al mantener pulsada la tecla FN, las funciones del joystick y el pad direccional se intercambian.



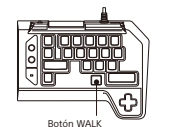
Botón QUICK

Se puede maximizar la velocidad del ratón pulsando el botón QUICK. Esto se traduce en la maximización del movimiento lateral en la vista en primera persona.



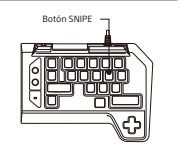
Botón WALK

Pulsar las teclas del joystick izquierdo al mismo tiempo que el botón WALK equivale a inclinarse ligeramente el joystick izquierdo de un controlador normal.



Botón SNIPE

Mantén pulsado el botón SNIPE para reducir temporalmente la sensibilidad del ratón y lograr una mayor precisión.



Cómo usar el Software TAC

Requisitos del sistema: * iOS: 8.0 o posterior * Android: 4.4 o posterior

- Para iOS: 1. Busca "HORI" or "HORI CO., LTD." in the APP Store. 2. Instala "HORI Device Manager".

- Para Android: 1. Busca "HORI" or "HORI CO., LTD." in Google Play. 2. Instala "HORI Device Manager".

- El Software TAC incluye las siguientes herramientas: * Funcionalidad Modo Assign (asignación de botones) * Ayuda de la aceleración del ratón

Solución de problemas

- 1. La PlayStation4 no se enciende al pulsar el botón PS. El botón PS de este producto no permite encender el sistema PlayStation4.

- 2. El controlador no responde al pulsar el botón PS. Comprueba que el interruptor de cambio del sistema PS4/PS3 está en la posición adecuada.

- 3. Los controles responden en la pantalla de inicio pero no durante la partida. En la PlayStation4, los controles no responderán si el usuario es distinto de aquel con el que se inició la partida.

- 4. El controlador no responde al pulsar el botón PS. En primer lugar debes enlazar este controlador con el sistema PlayStation4 utilizando el controlador inalámbrico (DUALSHOCK®4).

El correcto funcionamiento del producto podría verse afectado por interferencias electromagnéticas fuertes.

Si encuentras este símbolo en uno de nuestros productos o embalajes, significa que dicho producto o batería no debe tratarse como cualquier otro desecho doméstico en Europa.

Garantía: Si surge cualquier incidencia relacionada con la garantía de este producto antes de transcurridos los primeros 30 días después de la compra, consulta con el comercio donde lo adquiriste.

*"A", "PlayStation", "DUALSHOCK", "P.L.S." y "XBOX" son marcas comerciales registradas propiedad de Sony Computer Entertainment Inc.

Configuración de fábrica (botón Assign, ajustes de sensibilidad)

Cómo restaurar la configuración de fábrica (todos los perfiles) Debe verse la configuración de fábrica de cada botón y ajuste de sensibilidad a todos los perfiles.

- < Cómo restaurar > 1. Mantén pulsados simultáneamente los botones FN y PS durante 3-5 segundos.

