

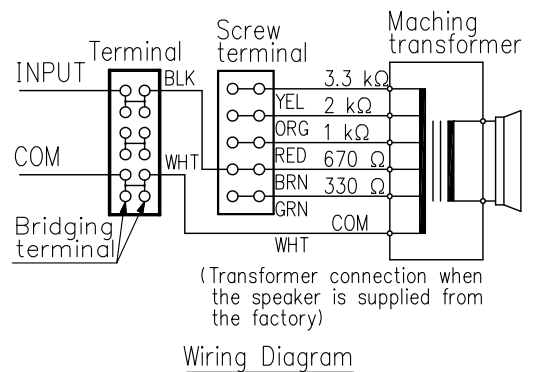
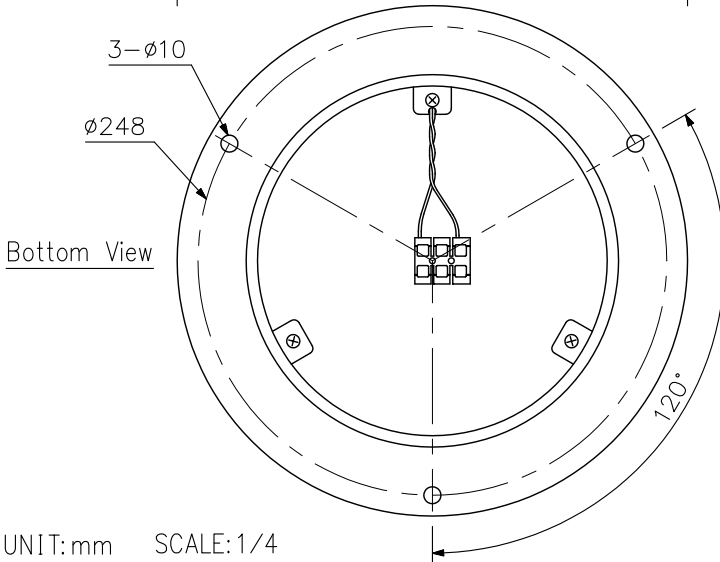
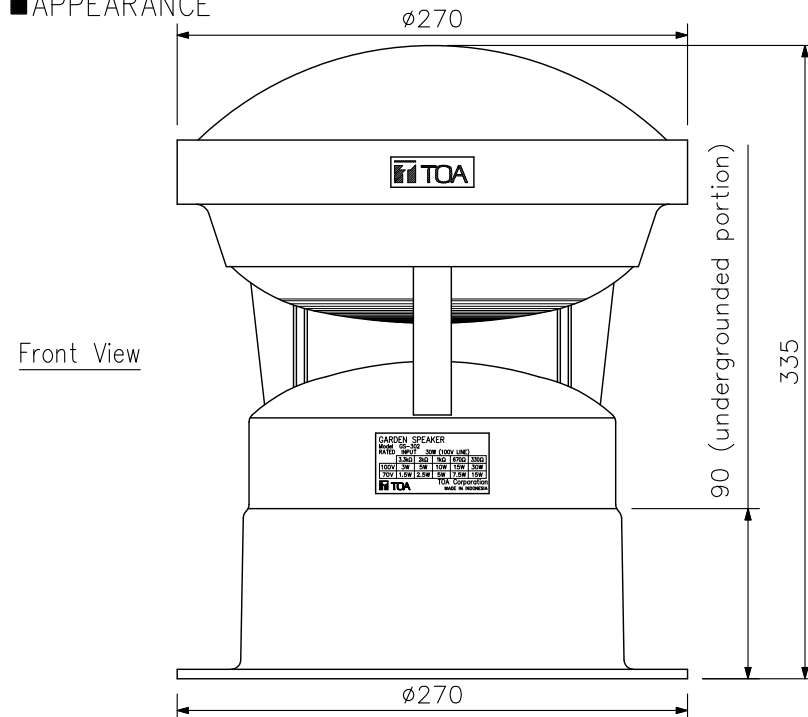
DESCRIPTION

The GS-302 is a compact Garden Speaker ideal for paging and background music broadcast in such places as gardens, theme parks and resort facilities. Corrosion resistant material is adopted to the speaker exterior, ensuring prolonged use of the speaker in a water-splashed environment. The appearance of Garden Speaker is designed so inconspicuous that the speaker can be installed in shrubberies of garden blending with the surroundings.

SPECIFICATIONS

| | |
|-----------------------|---|
| Enclosure | Sealed type |
| Rated Input | 30 W (100 V line), 15 W (70 V line) |
| Rated Impedance | 100 V line: 330 Ω (30 W), 670 Ω (15 W), 1 kΩ (10 W), 2 kΩ (5 W), 3.3 kΩ (3 W) 70 V line: 330 Ω (15 W), 670 Ω (7.5 W), 1 kΩ (5 W), 2 kΩ (2.5 W), 3.3 kΩ (1.5 W) |
| Sensitivity | 87 dB (1 W, 1 m) |
| Frequency Response | 100 Hz - 8 kHz |
| Speaker Component | 12 cm splash-proof cone-type |
| Input Terminal | Push-in terminal |
| Applicable Cable | Solid copper wire: $\phi 0.8 - \phi 1.6$ mm, Stranded cooper wire: 0.75 - 1.25 mm ² |
| Water Protection | IPX4 |
| Operating Temperature | -10 °C to +50 °C (14 °F to 122 °F) |
| Finish | Top cover and base: FRP resin, dark gray, semi-gloss, paint Speaker panel: ABS resin, dark gray, semi-gloss, paint Legs: Aluminum, dark gray, semi-gloss, paint |
| Dimensions | $\phi 270 \times 335$ (H) mm |
| Weight | 2.4 kg |
| Accessory | TOA label ...2 |

APPEARANCE



UNIT:mm SCALE:1/4