



# Unidirectional Sound Projector

LP1-UC10E-1, LP1-UC20E-1



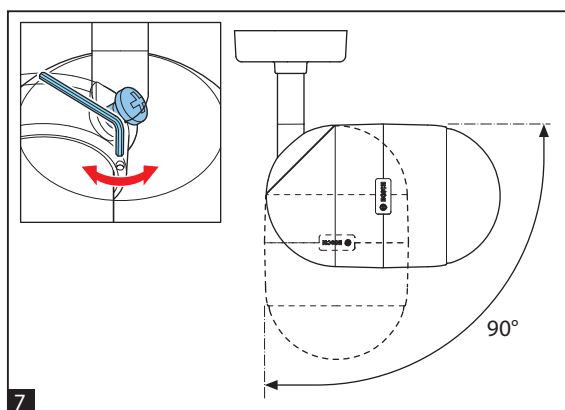
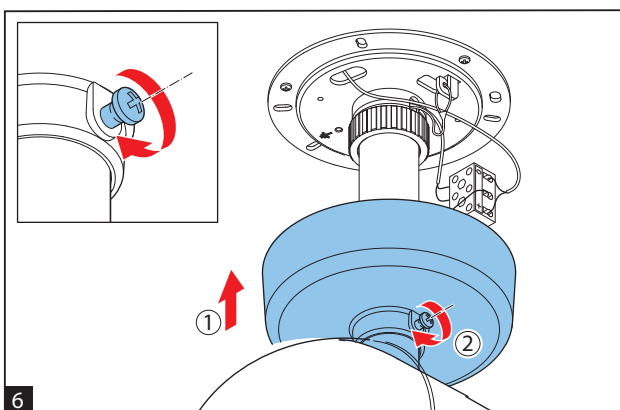
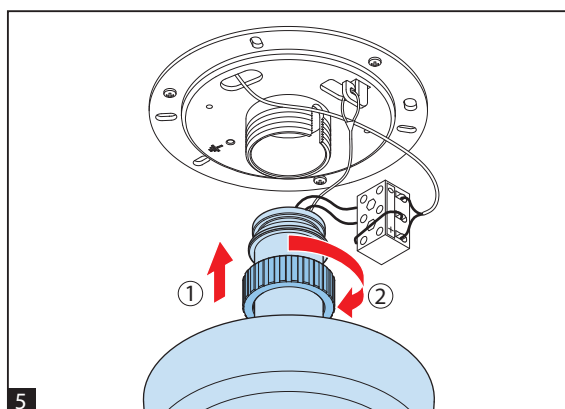
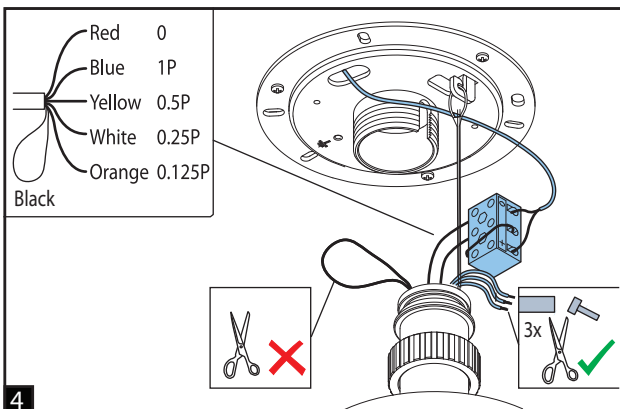
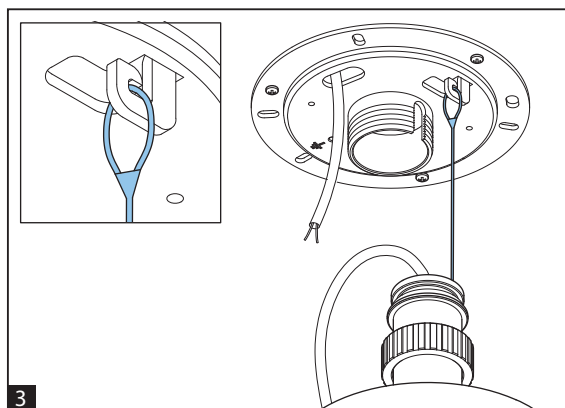
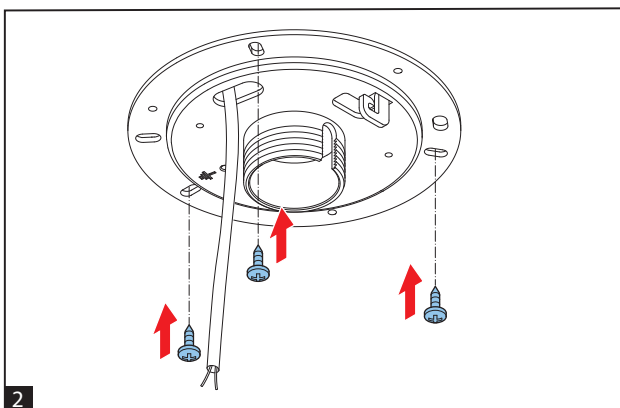
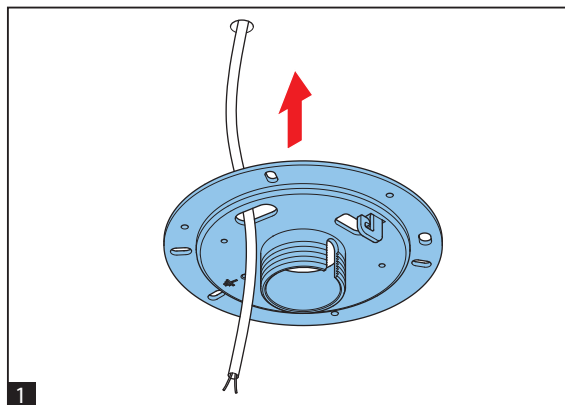
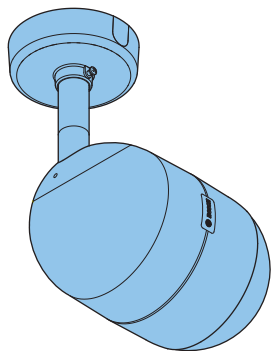
**BOSCH**

**en** Installation note



# 1 Installation

This document describes the installation procedure of the LP1-UC10E-1 / LP1-UC20E-1 Unidirectional Sound Projector.



## 2 Technical data

### LP1-UC10E-1

#### Electrical\*

Maximum power	15 W
Rated power	10 / 5 / 2.5 / 1.25 W
Sound pressure level at 10 W / 1 W (1kHz, 1 m)	96 dB / 86 dB (SPL)
Opening angle at 1 kHz / 4 kHz (-6 dB)	220° / 65°
Effective frequency range (-10 dB)	75 Hz to 20 kHz
Rated voltage	100 V
Rated impedance	1000 ohm
Connector	3-pole screw terminal

\* Technical performance data according to IEC 60268-5

#### Mechanical

Dimensions (D x L)	185 x 300 mm (7.3 x 11.8 in.)
Weight	3 kg (6.6 lb)
Color	White (RAL 9010)
Material	ABS

#### Environmental

Operating temperature	-25 °C to +55 °C (-13 °F to +131 °F)
Storage and transport temperature	-40 °C to +70 °C (-40 °F to +158 °F)
Relative humidity	<95%

**LP1-UC20E-1****Electrical\***

Maximum power	30 W
Rated power	20 / 10 / 5 / 2.5 W
Sound pressure level at 20 W / 1 W (1kHz, 1 m)	100 dB / 87 dB (SPL)
Opening angle at 1 kHz / 4 kHz (-6 dB)	220° / 65°
Effective frequency range (-10 dB)	75 Hz to 20 kHz
Rated voltage	100 V
Rated impedance	500 ohm
Connector	3-pole screw terminal

\* Technical performance data accordance to IEC 60268-5

**Mechanical**

Dimensions (D x L)	185 x 300 mm (7.3 x 11.8 in.)
Weight	3 kg (6.6 lb)
Color	White (RAL 9010)
Material	ABS

**Environmental**

Operating temperature	-25 °C to +55 °C (-13 °F to +131 °F)
Storage and transport temperature	-40 °C to +70 °C (-40 °F to +158 °F)
Relative humidity	<95%

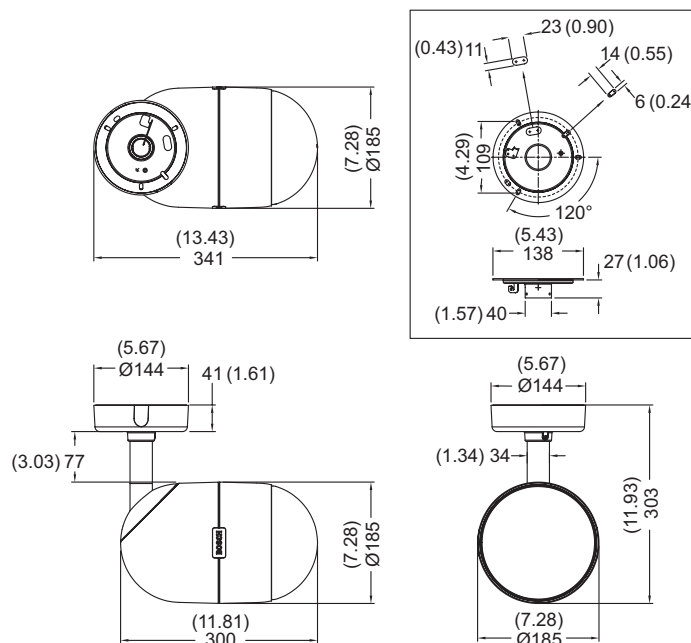


Figure 2.1: Dimensions in mm / (inch)

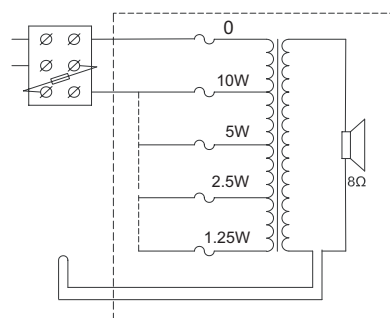


Figure 2.2: Circuit diagram LP1-UC10E-1

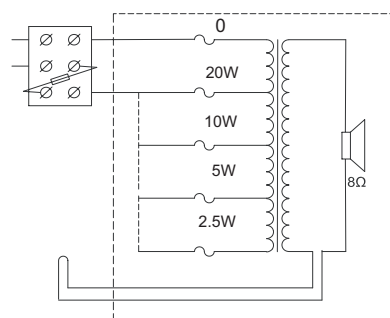
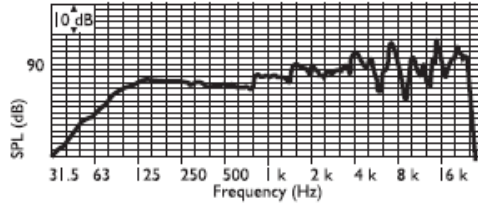
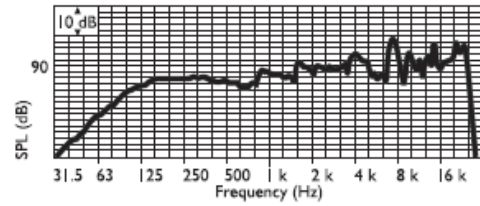


Figure 2.3: Circuit diagram LP1-UC20E-1



Frequency response LP1-UC10E-1



Frequency response LP1-UC20E-1

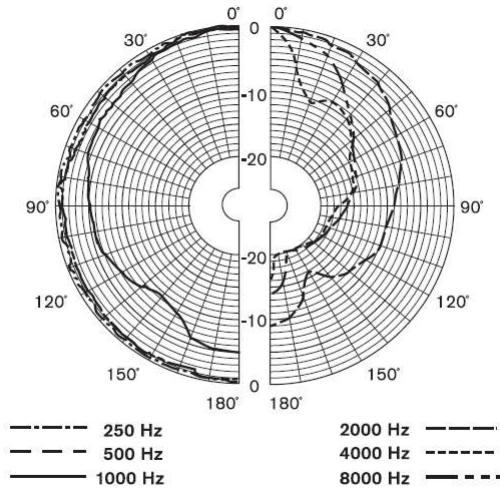


Figure 2.4: Polar diagram LP1-UC10E-1 / LP1-UC20E-1 (measured with pink noise)

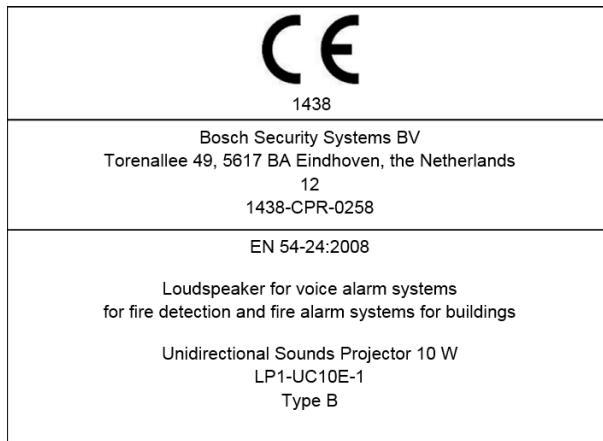


Figure 2.5: CE label



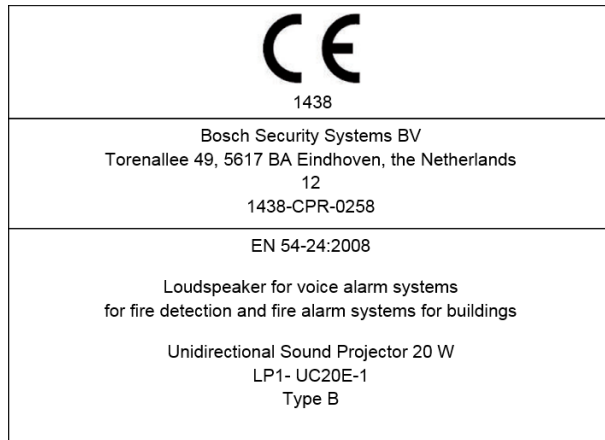


Figure 2.6: CE label

**Bosch Security Systems B.V.**

Torenallee 49

5617 BA Eindhoven

Netherlands

**[www.boschsecurity.com](http://www.boschsecurity.com)**

© Bosch Security Systems B.V., 2016