

The EC-100M microphone is equipped with an electronic chime. It can be operated as easily as normal type microphones, and can be used in any locations. The EC-100M's power saving design permits it to be operated for approximately 2 years (on the assumption that it is used 150 times a day) on two R14P batteries. (It is highly recommended that the batteries be replaced every 2 years to avoid battery leakage.)

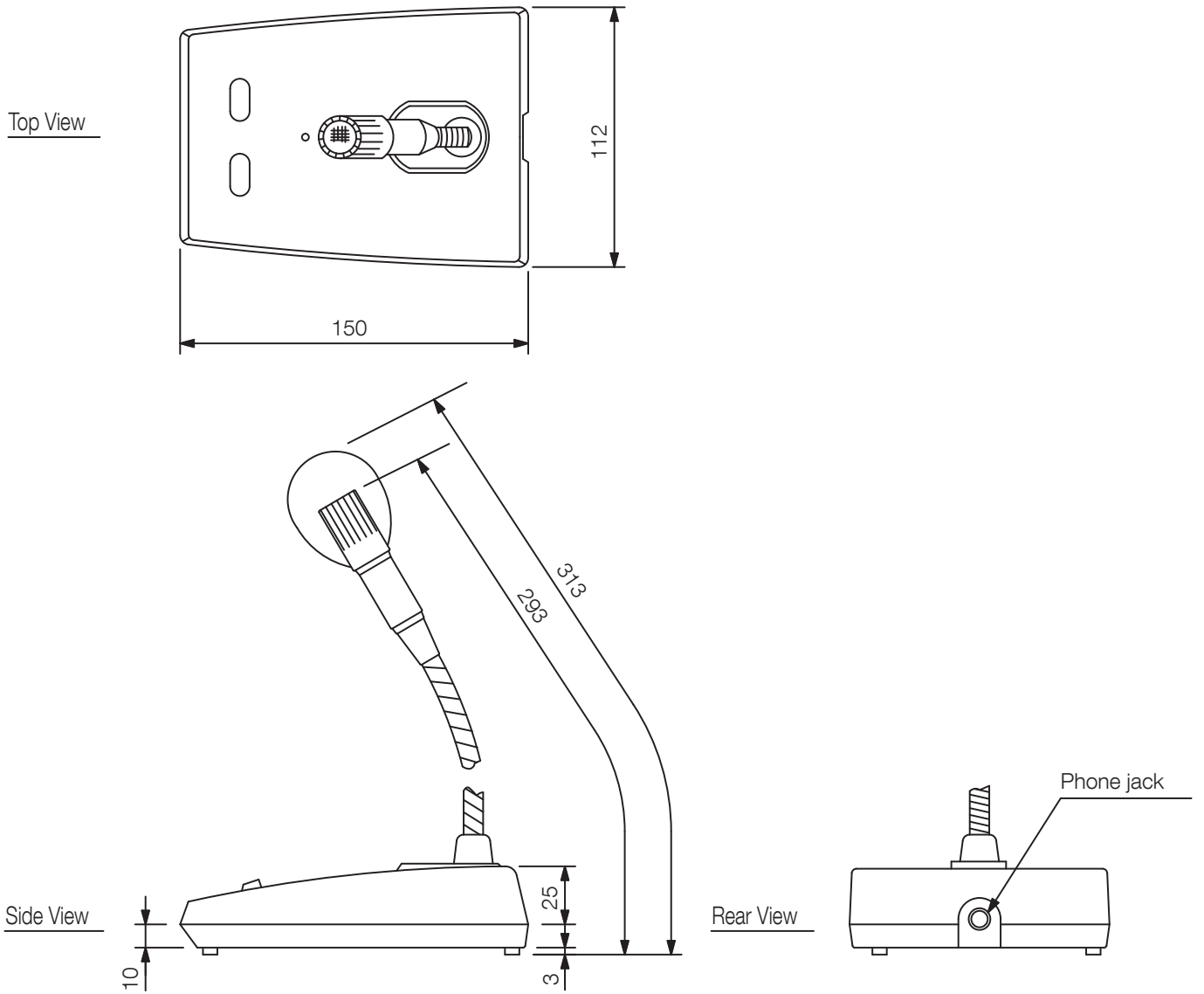


Article number:EC-100M Y

Specifications

Frequency response	200 Hz - 10 kHz
Rated impedance	600 Ω
Controls	ON/OFF switch
Microphone type	Desk top microphone for paging (dynamic)
Directivity	Unidirectional
Sensitivity	-53 dB (1 kHz 0 dB = 1 V/Pa)
Dimensions (W x H x D)	112 x 392 x 150 mm
Dimensions (ø x D)	x 150 mm
Finish	Zinc, die-cast, metallic gold,

Appearance



UNIT:mm

SCALE:1/3