

RS-144

SW PANEL

The RS-144 is a switch panel designed for use with the N-8000RS or N-8010RS 2-Core Shielded Substation Interface Unit. It is equipped with a Emergency button and Normal button, and can be installed in a 1-gang electrical box. By connecting a high impedance speaker to it, hands-free conversation with the master station can be made through its speaker. Also, it can be used in connection with the RS-141 IP Intercom Option Handset.

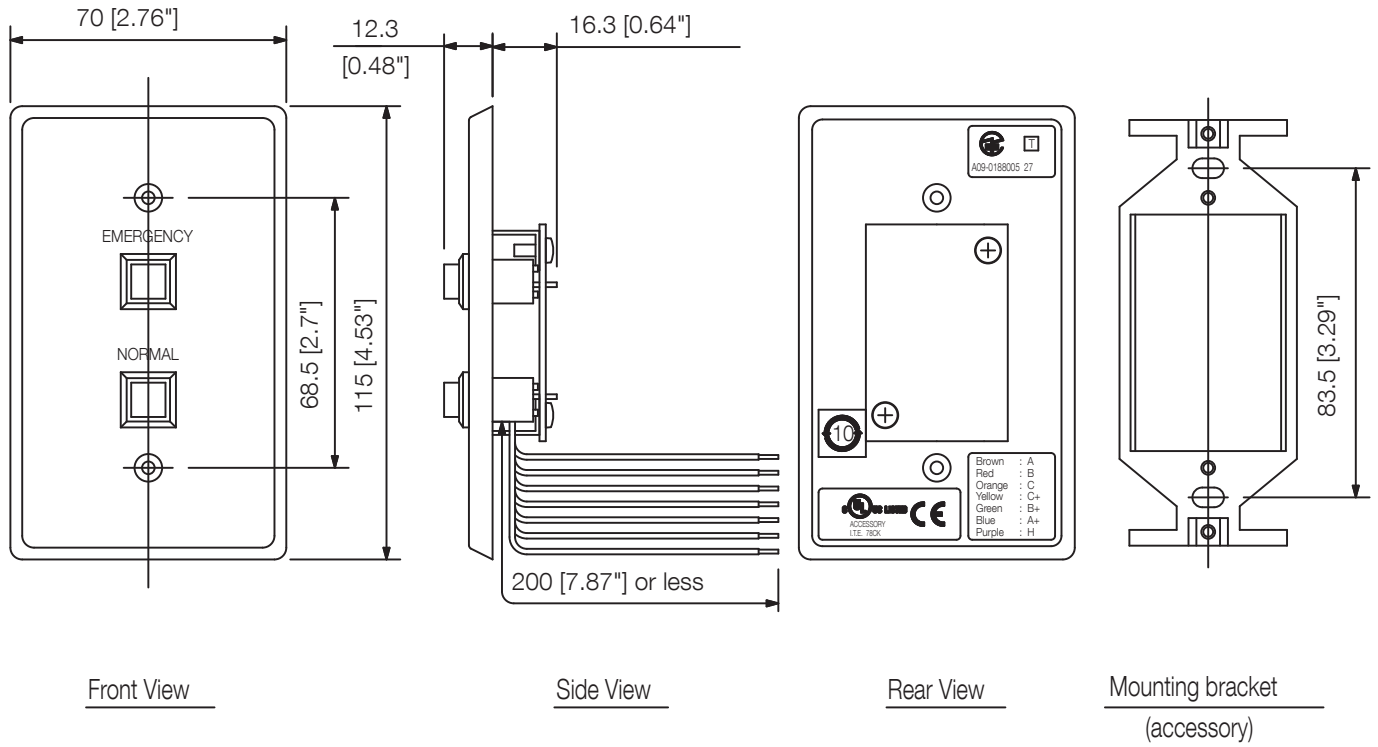


Article number:RS-144
 Alternative products: RS-140, RS-141,
 RS-142, RS-143

Specifications

Call-in switch	Momentary(EMERGENCY, NORMAL)
Wiring method	Two-core shielded cable
External speaker connector	$\geq 600 \Omega$
Dimensions (W x H x D)	70 x 115 x 28,6 mm
Dimensions (ϕ x D)	x 28,6 mm
Finish	Stainless steel, hairline,

Appearance



UNIT:mm SCALE:1/2