

RS-143

SW PANEL

The RS-143 is a switch panel designed for use with the N-8000RS or N-8010RS 2-Core Shielded Substation Interface Unit. It is equipped with a Call button and can be installed in a 1-gang electrical box. By connecting a high impedance speaker to it, hands-free conversation with the master station can be made through its speaker. Also, it can be used in connection with the RS-141 Ip Intercom Option Handset.

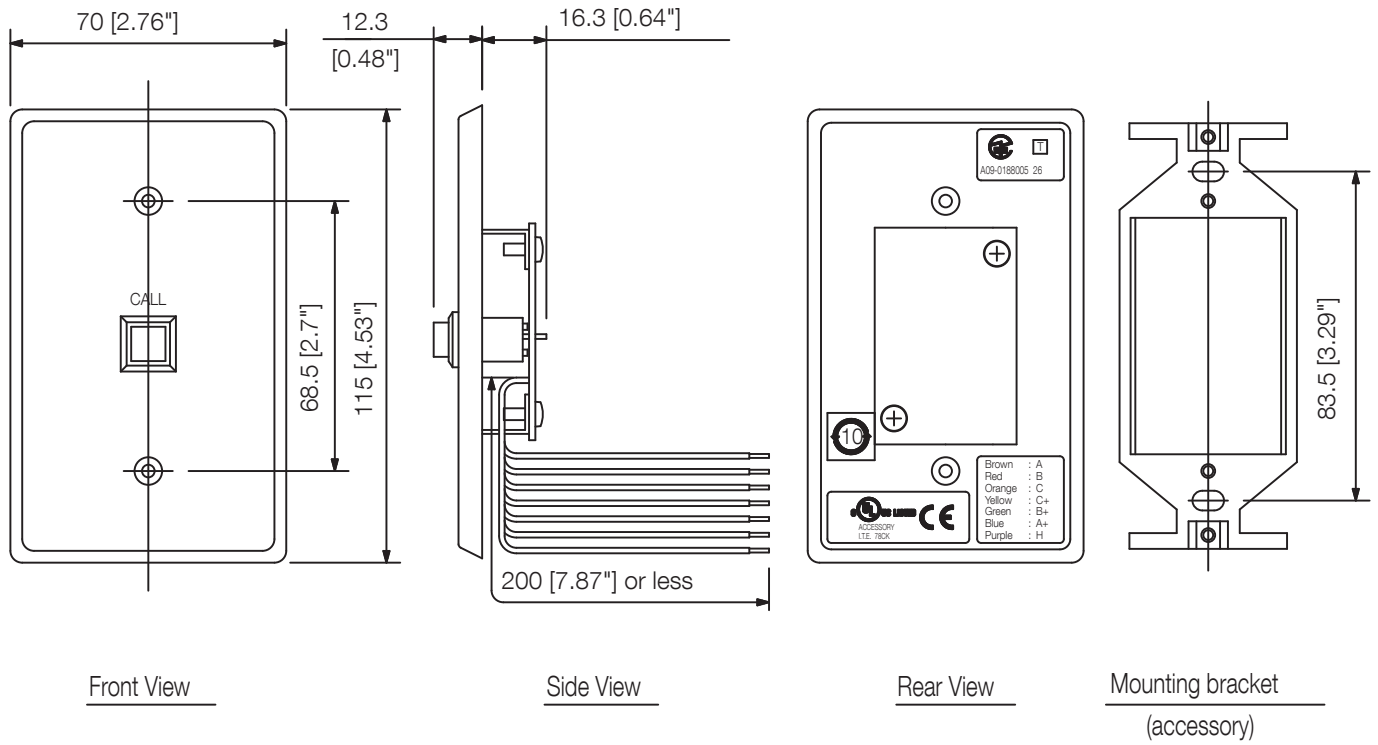


Article number:RS-143
 Alternative products: RS-140, RS-141,
 RS-142, RS-144

Specifications

| | |
|----------------------------|-------------------------|
| Call-in switch | Momentary |
| Wiring method | Two-core shielded cable |
| External speaker connector | $\geq 600 \Omega$ |
| Dimensions (W x H x D) | 70 x 115 x 28,6 mm |
| Dimensions (ϕ x D) | x 28,6 mm |

Appearance



UNIT:mm SCALE:1/2