

RS-460

SUB STATION

The RS-460 is a substation to be connected to the N-8400RS 4-Wire Substation Interface Unit. Pressing a call button will initiate a call to a preprogrammed master station, enabling a conversation.

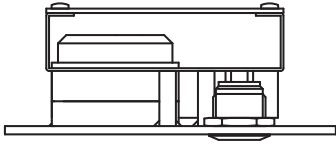


Article number:RS-460
Alternative products: RS-450, RS-470,
RS-480

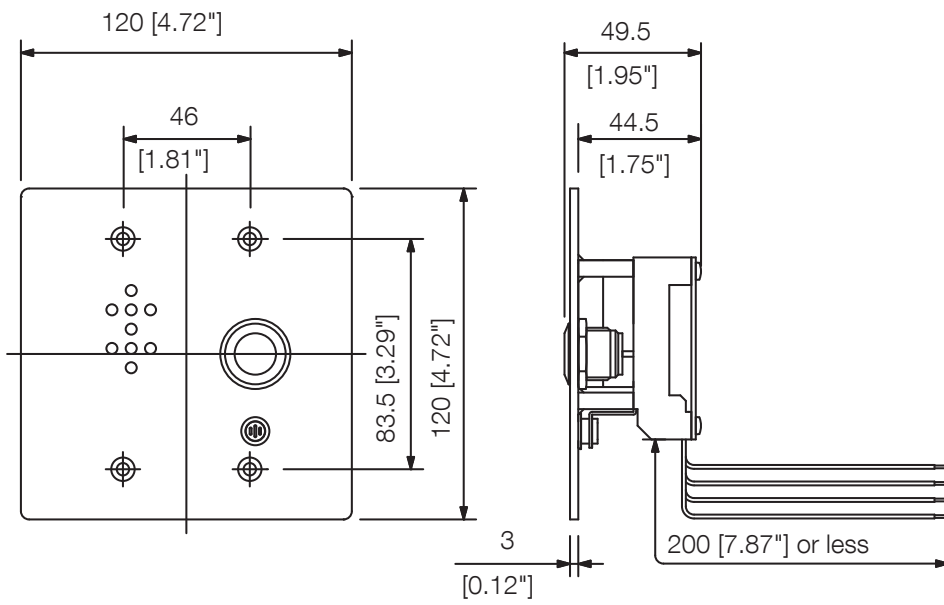
Specifications

| | |
|------------------------|--|
| Call-in switch | Momentary (Emergency call: Press twice within 400 ms) |
| Wiring method | 2 set of twisted pair cable |
| Transmission range | 1 km / Ø 0.5 mm (AWG24)1.5 km / Ø 0.65 mm (AWG22)2 km / Ø 0.9 mm (AWG19) |
| Dimensions (W x H x D) | 120 x 120 x 49,5 mm |
| Dimensions (ø x D) | x 49,5 mm |
| Finish | Stainless steel, hairline, |
| Operating temperature | 0 °C to +40 °C |

Appearance

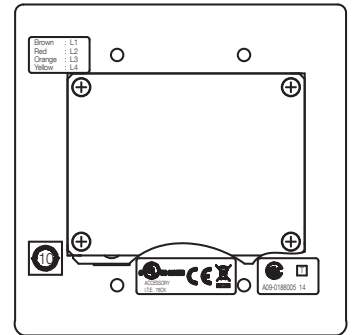


Top View



Front View

Side View



Rear View

UNIT:mm SCALE:1/3