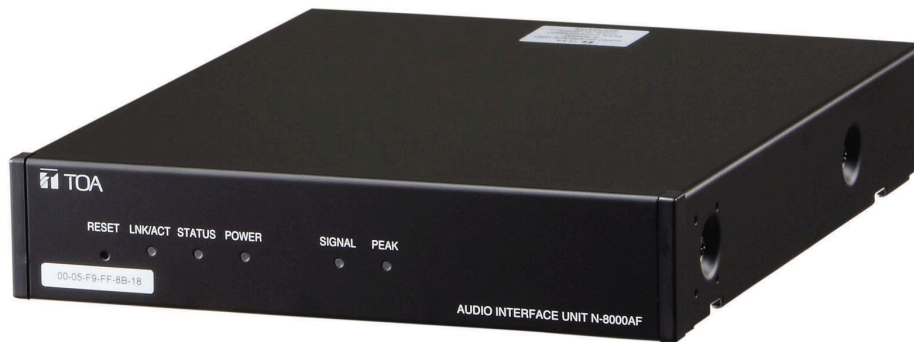


N-8000AF

AUDIO INTERFACE UNIT

The N-8000AF is an Audio interface unit designed for use with TOA's packet intercom system (IP network-compatible intercom system) that employs the packet audio technology. It has an analog audio input and output, a time synchronization contact input, and each 8 contact inputs and outputs. Connecting the unit to the LAN permits recording of conversations, chime broadcast at regular intervals (time signal) and paging broadcast to be realized. It can be mounted in an EIA equipment rack (1U size) with the use of an optional rack mounting bracket or installed on a wall using an optional wall mounting bracket.



Article number: N-8000AF CE
Alternative products: N-8000MI



N-8000AF

AUDIO INTERFACE UNIT

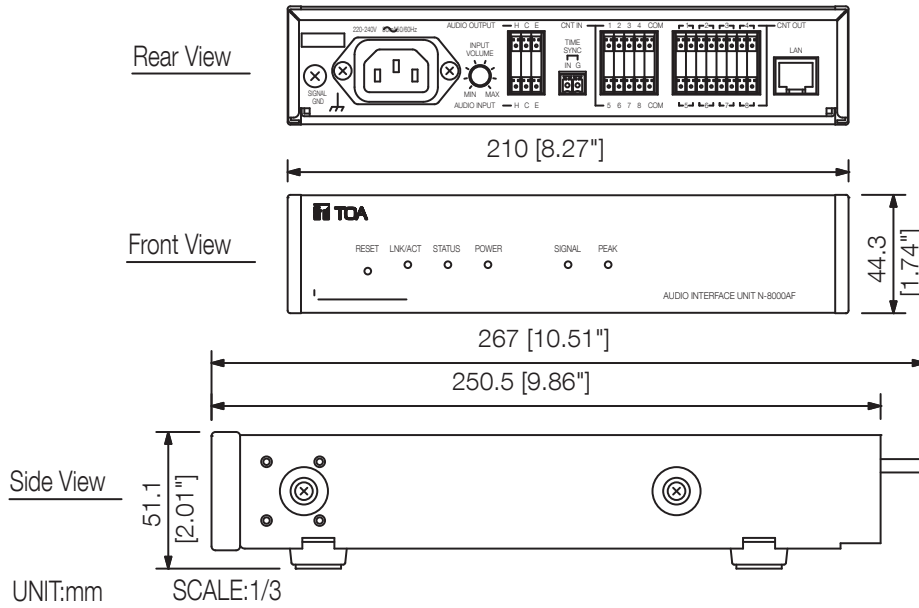
Specifications

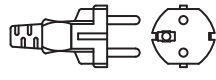
Network	10BASE-T/100BASE-TX (Automatic-Negotiation)
Network protocol	TCP/IP, UDP, ARP, ICMP, HTTP, RTP, IGMP
Audio packet transmission system	Unicast, Multicast
Power source	220 - 240 V AC, 50 / 60 Hz
Power consumption	7 W (max.)
Inputs	Audio input: 1 input (transformer isolated), -58 dB V to 0 dB V, 2 k Ω , balanced (MIC/LINE input, controllable on the software), with input volume control knob, removable terminal block (3 pins) Contact input: 8 inputs, no-voltage make contact input, open voltage: 24 V DC, short-circuit current: 5 mA or less, removable terminal block (10 pins), (1 common terminal for 4 inputs)
Outputs	Audio output: 1 output (transformer isolated), 0 dBV, 600 Ω , balanced, removable terminal block (3 pins) Contact output: 8 outputs, relay contact output, output capacity: 24 V DC / 2 - 500 mA, removable terminal block (16 pins)
Dimensions (W x H x D)	210 x 44,3 x 267 mm
Dimensions (ϕ x D)	x 267 mm
Finish	Steel plate, pre-coated, 30% gloss, black,
Operating humidity	90 % RH or less (no condensation)
Operating temperature	0 °C to +40 °C

N-8000AF

AUDIO INTERFACE UNIT

Appearance



Model	AC plug
CE	
CE-GB	