



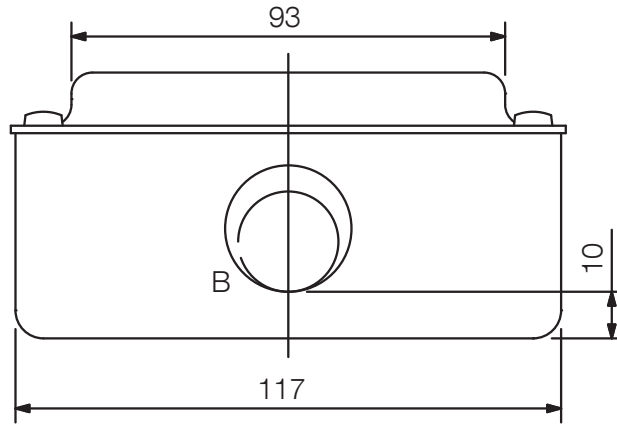
Article number:YC-150

#### Specifications

Dimensions (W x H x D)	184 x 119 x 57 mm
Dimensions (ø x D)	x 57 mm
Finish	Zinc plating,

Appearance

Bottom View



Dimension of knockout hole  
A: 21.5  
B: 27.1

UNIT:mm

SCALE:1/2