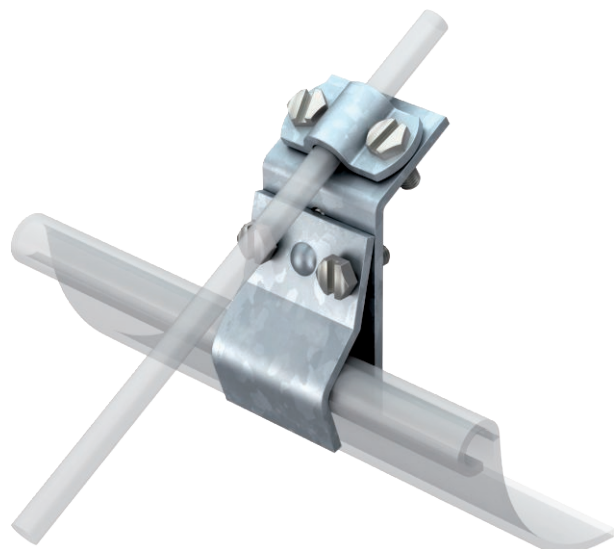


Technical data sheet

Roof gutter clamp for all bead thicknesses

Item no. 5316014



- With 4 hexagonal bolts M6 x 16
- Suitable for all bulge thicknesses

St	Steel
FT	Hot-dip galvanised

Product description

Master data

Item no.	5316014
Type	262
Description 1	Gutter clamp
Dimension	8-10mm
Material	Steel
Material symbol	St
Surface	Hot-dip galvanised
Surface to DIN	DIN EN ISO 1461
Surface symbol	FT
Smallest sales unit (VG)	25,00 Piece
Weight	20,30 kg/100 pc.

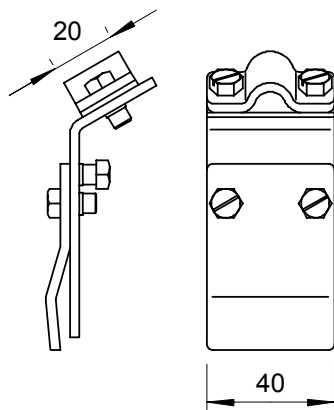
Technical data sheet

Roof gutter clamp for all bead thicknesses

Item no. 5316014



Technical data



Type of fastening screw	Hex set screw
Type of connector	Roof gutter clamp
Fit	Rd 8-10 mm