

Technical data sheet

Roof conductor holder for ridge tiles, 185–260 mm, Rd 8

Item no. 5202833



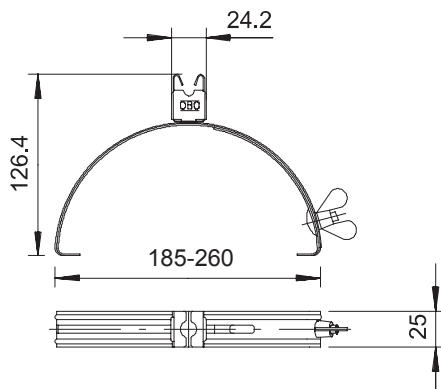
- Adjustable width from 185-260 mm
- Fast installation using wing screw

A2 Stainless steel, rustproof 1.4301

Master data

Item no.	5202833
Type	132 VA
Description 1	Roof conductor holder
Description 2	for ridge tiles
Material	Stainless steel, material no. 1.4301
Material symbol	A2
Smallest sales unit (VG)	20,00 Piece
Weight	12,90 kg/100 pc.

Technical data



Application	Ridge
Conductor fastening type	With clip
Cable diameter from/to	8,00 - 8,00
Mounting type	Tensionable
Mounting height	20,00 mm
Fit	Rd 8 mm
Clamping range D	185,00 - 260,00 mm
Material of the holder	Rustproof steel (V2A)