



# **POE HORN TERMINAL**

---

---



**T-S7720**

***OWNER'S MANUAL***

## Readers

---

---

---

Dear customers, this product is a professional integrated horn speaker with POE power supply and audio decoding module of network transmission. It is suitable for use in industrialized plants, prisons, pedestrian streets, parks, new rural areas and other public broadcasting places where requires wiring simplification. It is your ideal choice. For easier installation, commissioning and use, please read this instruction carefully before installation.

## Safety Tips

---

---

---

- Please be sure to use the former reading detailed notes.
- Really pay attention to this manual and a safety with the important warning.
- Recommend that you keep this manual for future reference.

### Common warning signs and security

The manual shown warning signs and security is to prevent the improper operation due to personal injury arising from the loss of property, please read before using this product must understand that this manual security symbols and Warning to



## Warning

Such as the inappropriate use of staff will cause injury, death and property damage.

### When installed loudspeakers

- Restricted by the provisions of the speakers on the voltage, such as the use of high voltage may cause electric shock or fire disaster. Is no pruning, distorted, or replacement of damaged wires.
- Avoid instability in the installation or set up speakers, such as shaking the table or flat surface, the speaker can avoid falling caused personal injury or property damage.
- Speakers will be installed in support of the speaker or the weight of a solid shelf. Speaker swap can be avoided caused personal injury or property damage.
- Wet hands must not be admitted into or plugs, may lead to electric shocks.
- The allocation of plugs, make sure that pull plugs, rather than pull wires. The use of a damaged power line of machinery may cause fire or electric shock.
- Mobile speaker, you plug the prior allocated. If the speaker and plugs may be moving together will cause fire or electric shock. For plugs, identified as plugs for grip.
- Will not be allowed to speakers on the vent cover. May cause internal heating caused by the fire.

## Features

---

---

---

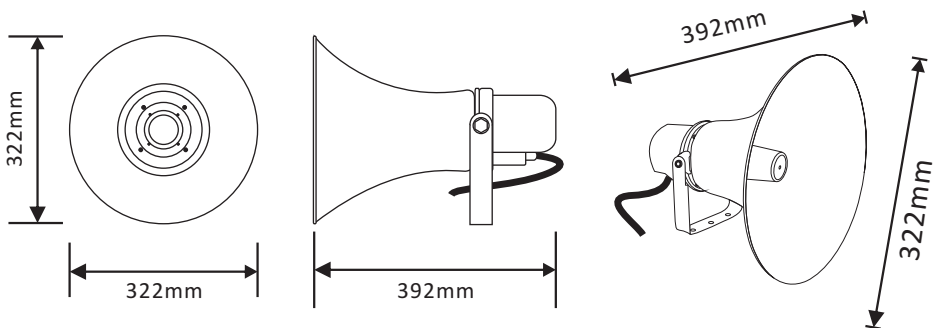
- 1.Digital network transmission, CD sound quality level of high fidelity. Support TCP / IP, UDP protocols.
- 2.Fully compatible with POE (IEEE 802.3at) standard power supply mode. User can connect to the POE switch with only one network cable. The construction is simple and convenient. The maximum connection distance is 80 meters.
- 3.Multiple network terminals should be connected correctly at the same time according to the POE switch power of various brands and modes, so as to avoid transient power protection from the misunderstood network terminal.
- 4.The internal circuit has an automatic voltage limiting, so that the digital power amplifier is always in the working state with the best performance and maximum efficiency. And the standby SNR is  $\geq 68\text{dB}$  (without weighting).
- 5.As a specific high-band, high-sensitivity speaker, it has sufficient power, clear and loud sound quality.
- 6.Support server unified authorization management, unified user management and password; support custom audio priority mute control of 100-level .
- 7.Support LAN and WAN,compatible with routers, switches, bridge gateways, Modem, Internet, 2G, 3G, 4G, multicast, unicast and other network architectures.
- 8.User can view device status and manage device information through system background WEB; User can remotely upgrade terminal firmwares without space limitation, which reduces the work intensity of maintenance personnel.

## Product Size

---

---

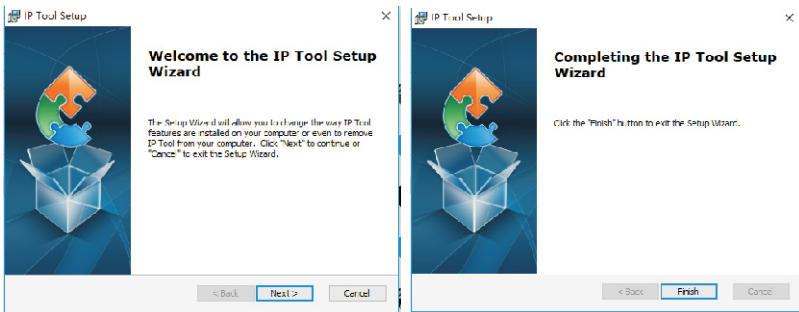
---



# Terminal configuration operating instructions

The terminal needs to be configured before installation, before installation, need make a installation plan including terminal name, terminal IP address, gateway IP address, server IP address, location of terminal installation, and label the information on the terminal to ensure the convenient use of the device. Please save the plan as an electronic document for future maintenance. After the system planning is completed, please configure parameters of each terminal includes “terminal IP address, subnet mask, gateway and server address”.

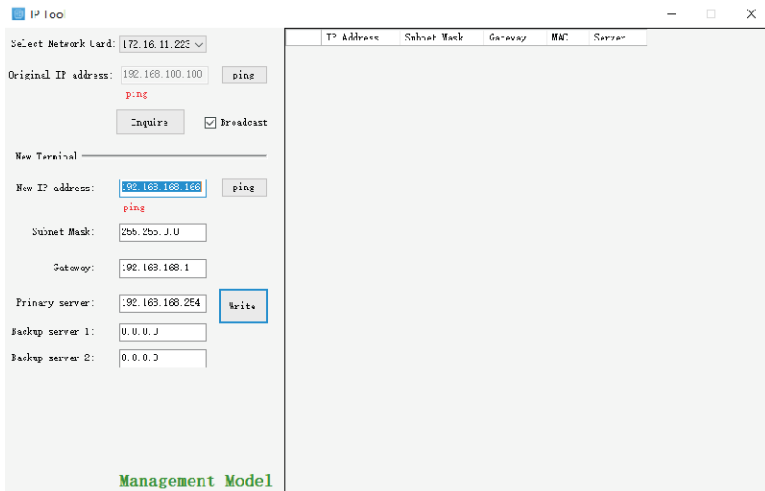
1. Installing software. Find the IP network broadcast system software installation package, double-click to open it, click on the program “terminal configuration tool”, after the installation of the program is completed, as shown below:



2. After the program is installed, a icon is generated on the desktop, as shown below:



3. Double-click the icon to run, and the “terminal configuration tool” window will pop up, as shown below:



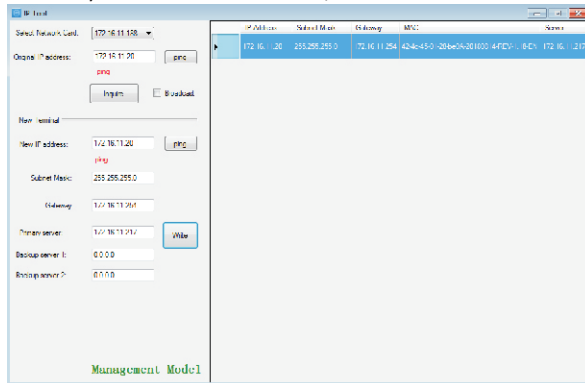
# Terminal configuration operating instructions

The configuration steps:

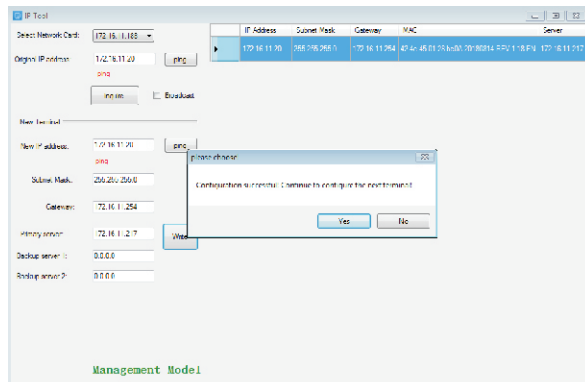
Step 1: Connect the terminal and the computer installed with the terminal configuration tool program by the network wire, Plug in the power until the terminal power indicator is on.

Step 2: double-click to open the shortcut icon of “terminal configuration tool”, select the network card first, and left-click the “query” button in the window, to query the terminal’s original IP address. Please pay attention to: local IP address of the computer should be set in the same network segment as the terminal, because the default IP of terminal is: 192.168.168.166, so the computer’s local IP address should also be set to: 192.168.168.X, otherwise it maybe not match the IP terminal address.

Step 3: In the window of “Terminal Configuration Tool”, fill in correct “IP address”, “Subnet mask”, “Gateway IP” and “Server IP”, as below:

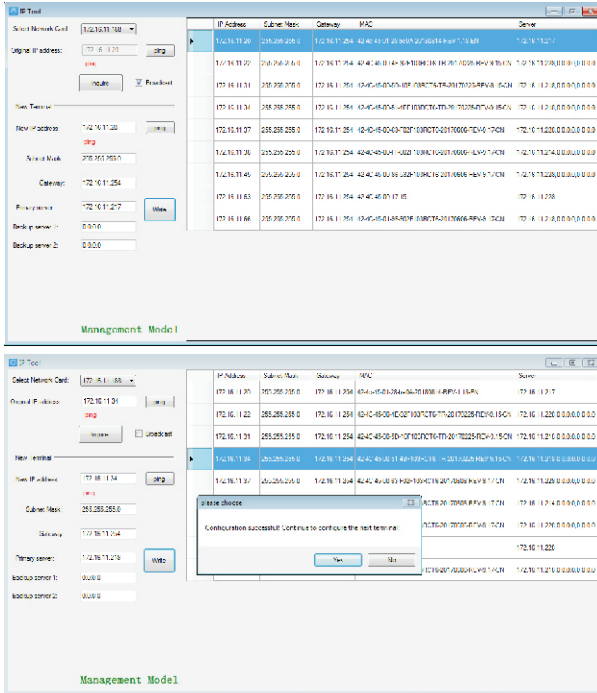


Step 4: left click on the “write” button, there will be a window prompt after the successful configuration; after that, left click on the “query” button, the parameters of the terminal will be re-read by the configuration program, if it display as the same as entered one, means that the configuration was successful.



# Terminal configuration operating instructions

Step 5: If multiple terminals are in the same network segment, you only need to modify the IP address of one terminal, it is needed to click on the terminal in the queried terminals list, then cancel the choice of broadcast on the left interface, modify the IP address and click for configuration.



Notes: If the terminal data can't be queried or the network is blocked, the pop-up window will say Reconfigure the IP address or IP address writing error. In this case, please reconfigure the network, check the network cable, and turn off the firewall, etc.

## Technical Parameters

---

---

---

---

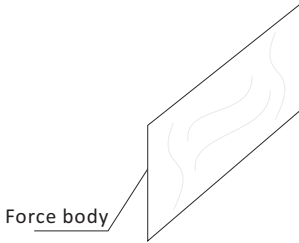
Model	T-S7720
Power Supply	POE power supply
Power Consumption	30W(IEEE 802. 3at)
Network Interface	Standard RJ45 input
Transmission Rate	100Mbps
Protocol	TCP/IP, UDP
Audio Format	MP3
Audio mode	16-bit CD sound quality
Sampling Rate	8K~48K
Bit rate	8K~512Kbps
Output Power	25W(MAX)
Speaker sensitivity	104dB±3dB
Frequency Response	300Hz~14KHz
THD	≤1%
SNR	≥68dB
Ingress Protection	IP54
Dimensions	322×322×392mm
Weight	2.7Kg
Color	White

# Installation method

---

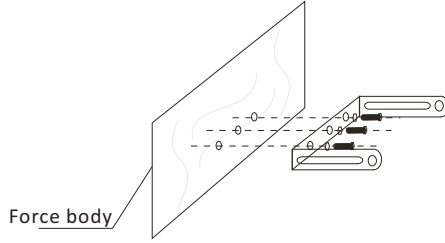
---

---



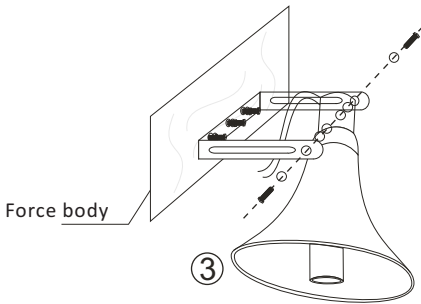
①

1. Speaker weight of 2.7Kg, must be chosen Solid body by force, to avoid unstable speakers falling or injuries.



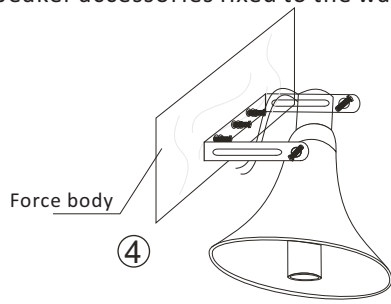
②

2. Use of measuring tools, measure parts speakers three hole size and spacing of holes from, and selection in line with the screw hole, fortunately, speaker accessories fixed to the wall.



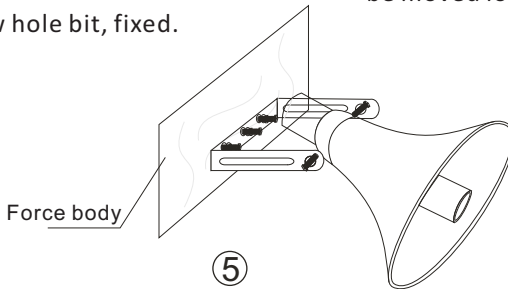
③

3. The horn gently into the accessories have been installed on the walls, the speakers on both sides of pore spaces and the walls of two other parts of the alignment holes. selected in line with the horn screw hole bit, fixed.



④

4. Figure, a 90-degree vertical installation fixed in the wall. Such as the need to change the security point of view can be moved loaded speakers.



⑤

5. Figure used to change the installation point of view, Installation of speakers.

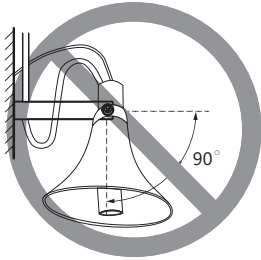


## Installation method

---

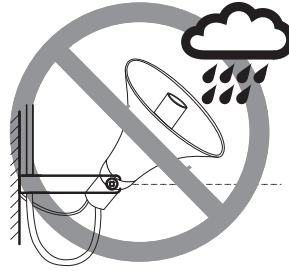
---

---



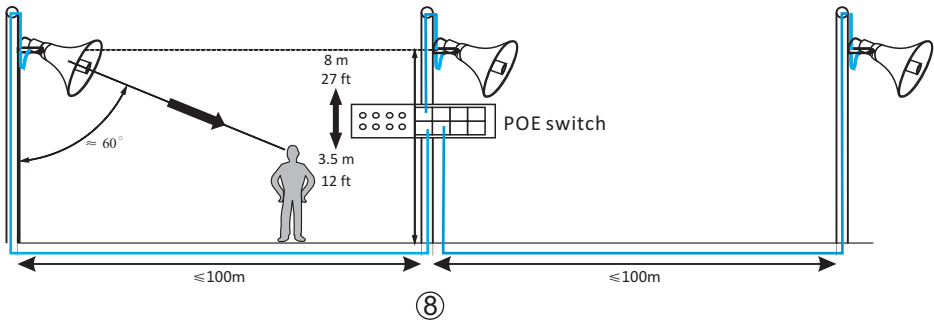
⑥

6. As shown in the figure, it is forbidden to fix it on the wall by 90 degree installation.



⑦

7. As shown in the figure, it is forbidden to install on the wall to prevent rain from pouring.



⑧

8. As shown in the figure, the height of the installation is 3.5m (12ft)-8m (27ft) from the ground, and the angle with the bottom surface is about 60°.

**Note:** After the installation, please ensure that the product is connected to the ground to prevent the device from static interference or lightning damage.  
Recommended model for POE switch: keiLiNK POE industrial switch  
KP-9000-65-1GX4GP-SC05M.

# POE HORN TERMINAL

