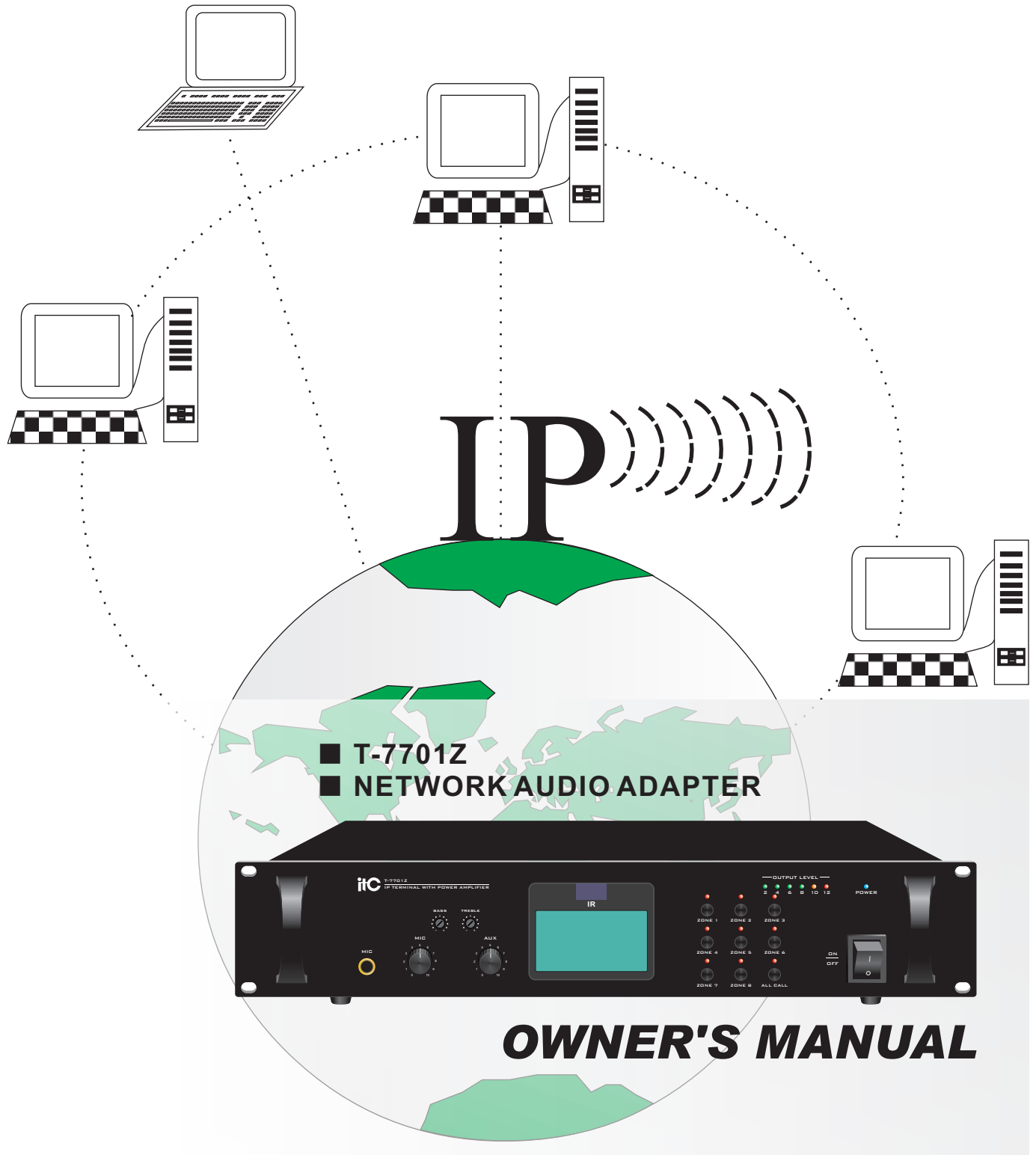


itC IP NETWORK PA SYSTEM



Please follow the instructions in this manual to obtain the optimum results from this unit. We also recommend that you keep this manual handy for future reference.

TABLE OF CONTENTS

1. SAFETY PRECAUTIONS.....	3
2. PRODUCT APPLICATION.....	5
3. FEATURES.....	5
4. NOMENCLATURE AND FUNCTIONS.....	6
4.1 Front panel.....	6
4.2 Rear panel.....	7
4.3 Remote control.....	7
5. FUNCTIONAL DESCRIPTION	8
6. WIRING DIAGRAM.....	9
7. TERMINAL CONFIGURATION OPERATING INSTRUCTIONS	10
8. BLOCK DIAGRAM.....	13
9. SPECIFICATIONS.....	14
10. DIMENSIONAL DIAGRAM.....	15

1. SAFETY PRECAUTIONS

- Be sure to read the instructions in this section carefully before use.
- Make sure to observe the instructions in this manual as the conventions of safety symbols and messages regarded as very important precautions are included.
- We also recommend you keep this instruction manual handy for future reference.

Safety Symbol and Message Conventions

Safety symbols and messages described below are used in this manual to prevent bodily injury and property damage which could result from mishandling. Before operating your product, read this manual first and understand the safety symbols and messages so you are thoroughly aware of the potential safety



WARNING

Indicates a potentially hazardous situation which, if mishandled, could result in death or serious personal injury.



CAUTION

Indicates a potentially hazardous situation which, if mishandled, could result in moderate or minor personal injury, and/or property damage.



WARNING

When Installing the Unit

- Do not expose the unit to rain or an environment where it may be splashed by water or other liquids, as doing so may result in fire or electric shock.
- Use the unit only with the voltage specified on the unit. Using a voltage higher than that which is specified may result in fire or electric shock.
- Do not cut, kink, otherwise damage nor modify the power supply cord. In addition, avoid using the power cord in close proximity to heaters, and never place heavy objects -- including the unit itself -- on the power cord, as doing so may result in fire or electric shock.
- Be sure to replace the unit's terminal cover after connection completion. Because high voltage is applied to the speaker terminals, never touch these terminals to avoid electric shock.
- Be sure to ground to the safety ground (earth) terminal to avoid electric shock. Never ground to a gas pipe as a catastrophic disaster may result.
- Avoid installing or mounting the unit in unstable locations, such as on a rickety table or a slanted surface. Doing so may result in the unit falling down, causing personal injury and/or property damage.

When the Unit is in Use

- Should the following irregularity be found during use, immediately switch off the power, disconnect the power supply plug from the AC outlet and contact your nearest **ITC** dealer. Make no further attempt to operate the unit in this condition as this may cause fire or electric shock.
 - If you detect smoke or a strange smell coming from the unit.
 - If water or any metallic object gets into the unit
 - If the unit falls, or the unit case breaks
 - If the power supply cord is damaged (exposure of the core, disconnection, etc.)
 - If it is malfunctioning (no tone sounds.)
- To prevent a fire or electric shock, never open nor remove the unit case as there are high voltage components inside the unit. Refer all servicing to your nearest **ITC** dealer.
- Do not place cups, bowls, or other containers of liquid or metallic objects on top of the unit. If they accidentally spill into the unit, this may cause a fire or electric shock.
- Do not insert nor drop metallic objects or flammable materials in the ventilation slots of the unit's cover, as this may result in fire or electric shock.

CAUTION

When Installing the Unit

- Never plug in nor remove the power supply plug with wet hands, as doing so may cause electric shock.
- When unplugging the power supply cord, be sure to grasp the power supply plug; never pull on the cord itself. Operating the unit with a damaged power supply cord may cause a fire or electric shock.
- When moving the unit, be sure to remove its power supply cord from the wall outlet. Moving the unit with the power cord connected to the outlet may cause damage to the power cord, resulting in fire or electric shock. When removing the power cord, be sure to hold its plug to pull.
- Do not block the ventilation slots in the unit's cover. Doing so may cause heat to build up inside the unit and result in fire.
- Avoid installing the unit in humid or dusty locations, in locations exposed to the direct sunlight, near the heaters, or in locations generating sooty smoke or steam as doing otherwise may result in fire or electric shock.

When the Unit is in Use

- Do not place heavy objects on the unit as this may cause it to fall or break which may result in personal injury and/or property damage. In addition, the object itself may fall off and cause injury and/or damage.
- Make sure that the volume control is set to minimum position before power is switched on. Loud noise produced at high volume when power is switched on can impair hearing.
- Do not operate the unit for an extended period of time with the sound distorting. This is an indication of a malfunction, which in turn can cause heat to generate and result in a fire.
- Contact your **ITC** dealer as to the cleaning. If dust is allowed to accumulate in the unit over a long period of time, a fire or damage to the unit may result.
- If dust accumulates on the power supply plug or in the wall AC outlet, a fire may result. Clean it periodically. In addition, insert the plug in the wall outlet securely.
- Switch off the power, and unplug the power supply plug from the AC outlet for safety purposes when cleaning or leaving the unit unused for 10 days or more. Doing otherwise may cause a fire or electric shock.

An all-pole mains switch with a contact separation of at least 3 mm in each pole shall be incorporated in the electrical installation of the building.

2. PRODUCT APPLICATION

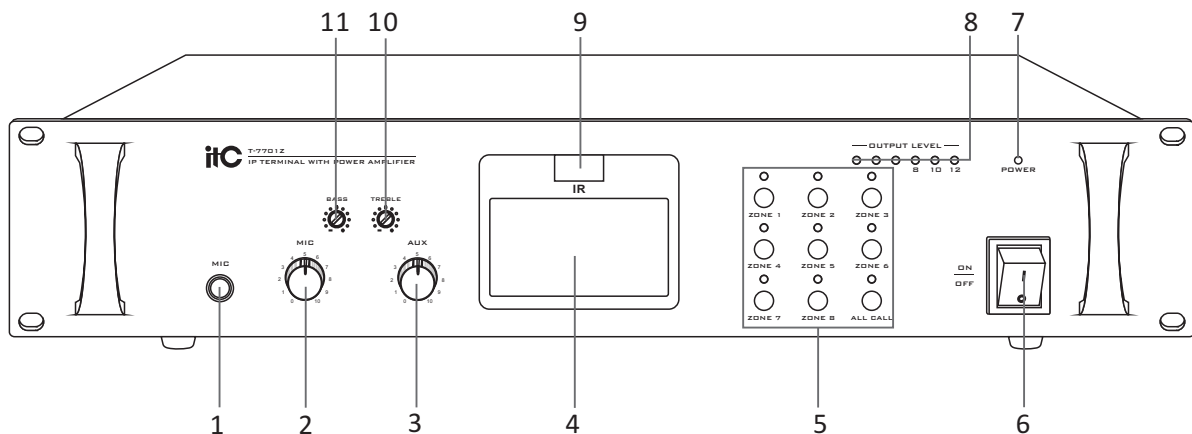
Rack mounted IP network decoding terminal is a cost-effective professional public IP network broadcasting. It is installed in ELV room or sub-control computer room in each broadcasting management area for program broadcasting and local broadcasting in hall, corridor, outdoor and other areas.

3. FEATURES

1. Industrial 3.4-inch LCD display can clearly display most of the dot matrix patterns and machine working state. It is equipped with infrared remote controller, and the program library of VOD server can control playback/pause, and the operation is flexible and simple.
2. Embedded computer technology and DSP audio processing technology are used to design, and high-speed industrial chips are used.
3. Built-in 1-channel network hardware audio decoding module, support TCP/IP, UDP, realize network transmission of 16-bit CD audio signal.
4. Built-in independent constant voltage 100V input interface supports 8-zone independent control of constant voltage 100V power output selection. 1-8 area output port, server PC software configuration, support call arbitrary area (or partition group), support the call area. Supports configuring a region (or partition group) for a single period of time to perform timing tasks. The alarm task triggers to play any area (or partition group) task, real-time file plays any area (or partition group) task, and real-time terminal picks up any area (or partition group) task. The output end of the area is 100V, which can be used to connect 100V constant-voltage horn. The output audio comes from the input end of the fixed-voltage 100V audio.
5. The input interface of AUX and MIC has independent volume and high and low tone regulated potentiometer control, and supports local paging function of disconnected network.
6. 1 EMC input interface, input emergency alarm speech signal for direct, with the highest priority.
7. 2 channels audio signal auxiliary output interface, can expand external power amplifier, standard lotus seat interface, wiring connection is very convenient.
8. Built-in intelligent power management. When the machine has no audio signal input for 3 to 5 minutes, it shuts down the power supply automatically. When the machine is in standby state and has signal input, the power supply is turned on automatically. At the same time, it supports network pre-opening to realize intelligent power management.
9. Built-in three-level signal priority function.
 - 1) EMC is the highest priority;
 - 2) Network alarm trigger is the second priority, local MIC/AUX and network background music signal are given priority.
 - 3) Local MIC signal is the third priority, AUX and network background music signal are the priority.
 - 4) AUX and network background music signal have no priority at the same level.
10. Supporting silence intensity preset reduction function, background accompaniment preset function; Supporting status lamp display, including level indicator lamp.
11. Compatible with any network structure such as router, switch, bridge gateway, Modem, Internet, 2G, 3G, 4G, etc.
12. Digital products, easy to expand, not limited by geographical location, without the need for additional computer room management equipment, the use of common network exemption. The design concept of line construction is easy to install.

4. NOMENCLATURE AND FUCTIONS

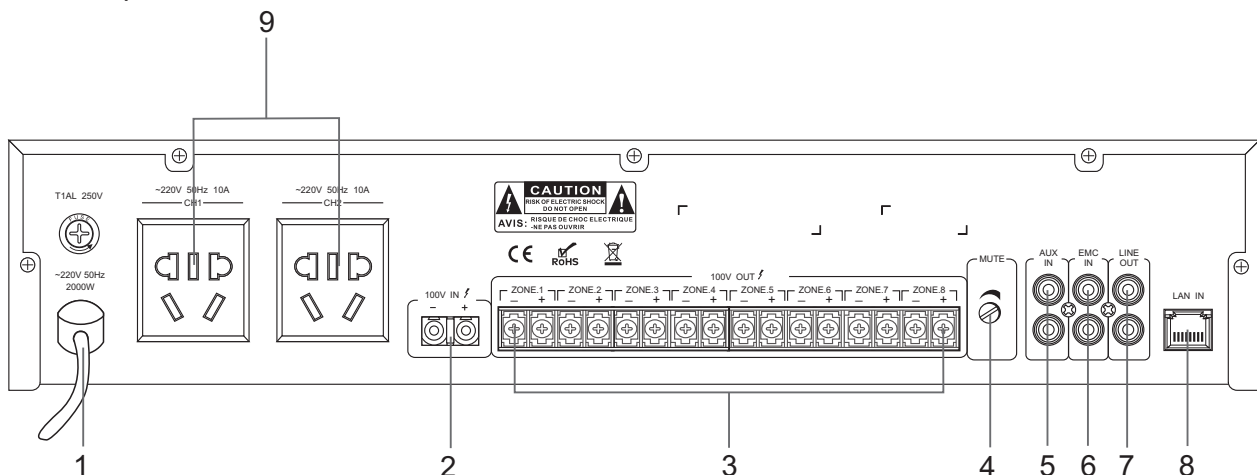
4.1 Front panel



1. Local MIC input - 6.35 mm MIC input interface.
2. MIC input volume control.
3. AUX - Auxiliary Volume Control.
4. Working status display screen - mainly used to display the status, when performing different tasks to show different.
5. Area selection, turn on the area indicator and turn off the area indicator.
6. Power switch - mainly used for switching on and off. Turn on the machine when the switch dials ON and turn off the machine when it dials OFF.
7. Power Indicator Lamp - Mainly used for power switch indication, when the machine is turned on, the LED lights are on, and when the machine is turned off, the LED is off.
8. OUTPUT LEVEL - level indicator.
9. IR -infrared receiving window.
10. TREBLE - treble, to adjust treble response, when rotating clockwise, treble output will be increased; anti - clockwise to decrease levels.
11. BASS - bass, to adjust bass response, when rotating clockwise, treble output will be increased; anti - clockwise to decrease levels.

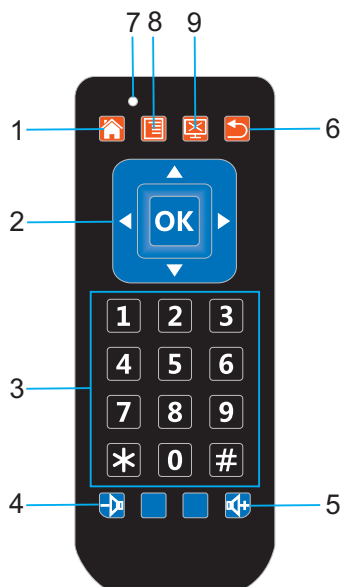
4. NOMENCLATURE AND FUCTIONS

4.2 Rear panel



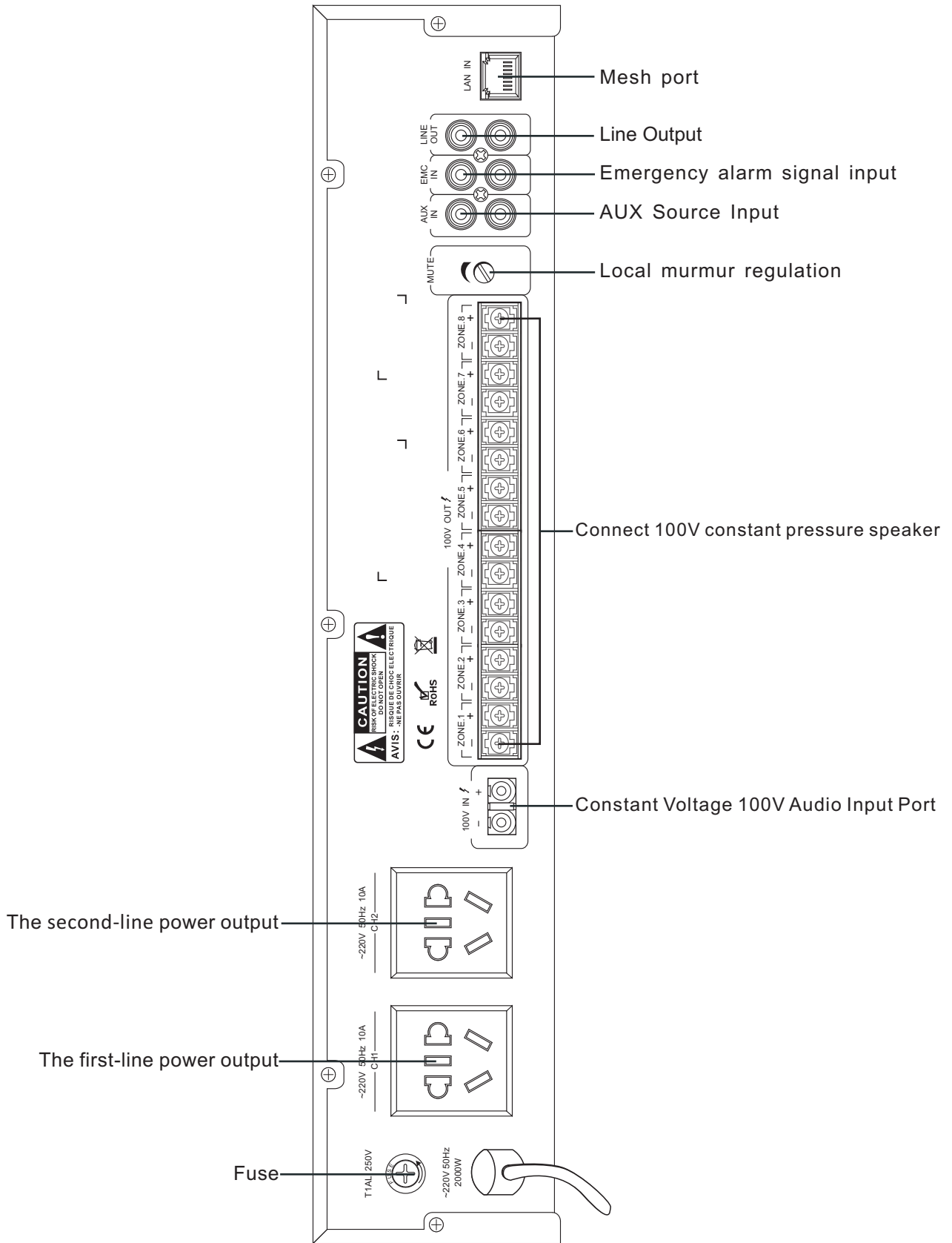
1. AC power input.
2. Constant voltage 100V audio input.
3. 1-8 area output port. After the server PC software is configured, it supports calling any area (or partition group) and calling the whole area. Supports the configuration of a region (or partition group) for a single period of time to perform timing tasks, alarm tasks, trigger interactive playback tasks, real-time file playback tasks, and real-time terminal picking and broadcasting tasks. The regional output terminal is 100V, which can be used to connect 100V constant voltage horn. The output audio comes from the constant voltage 100V audio input terminal.
4. MUTE - mute potentiometer, when rotated to the right, has the highest mute intensity and vice versa.
5. AUX IN - line input port, unbalanced connection port.
6. EMC - Emergency Alarm Music Signal Input. Once a signal is input to the port, the equipment will automatically play the music signal of the channel in priority.
7. LINE OUT - Line output port, unbalanced connection port.
8. LAN IN - RJ45, which is connected with PC host/Ethernet/switch network.
9. 2 channel independent power outputs correspond to 2 independent channels.

4.3 Remote control

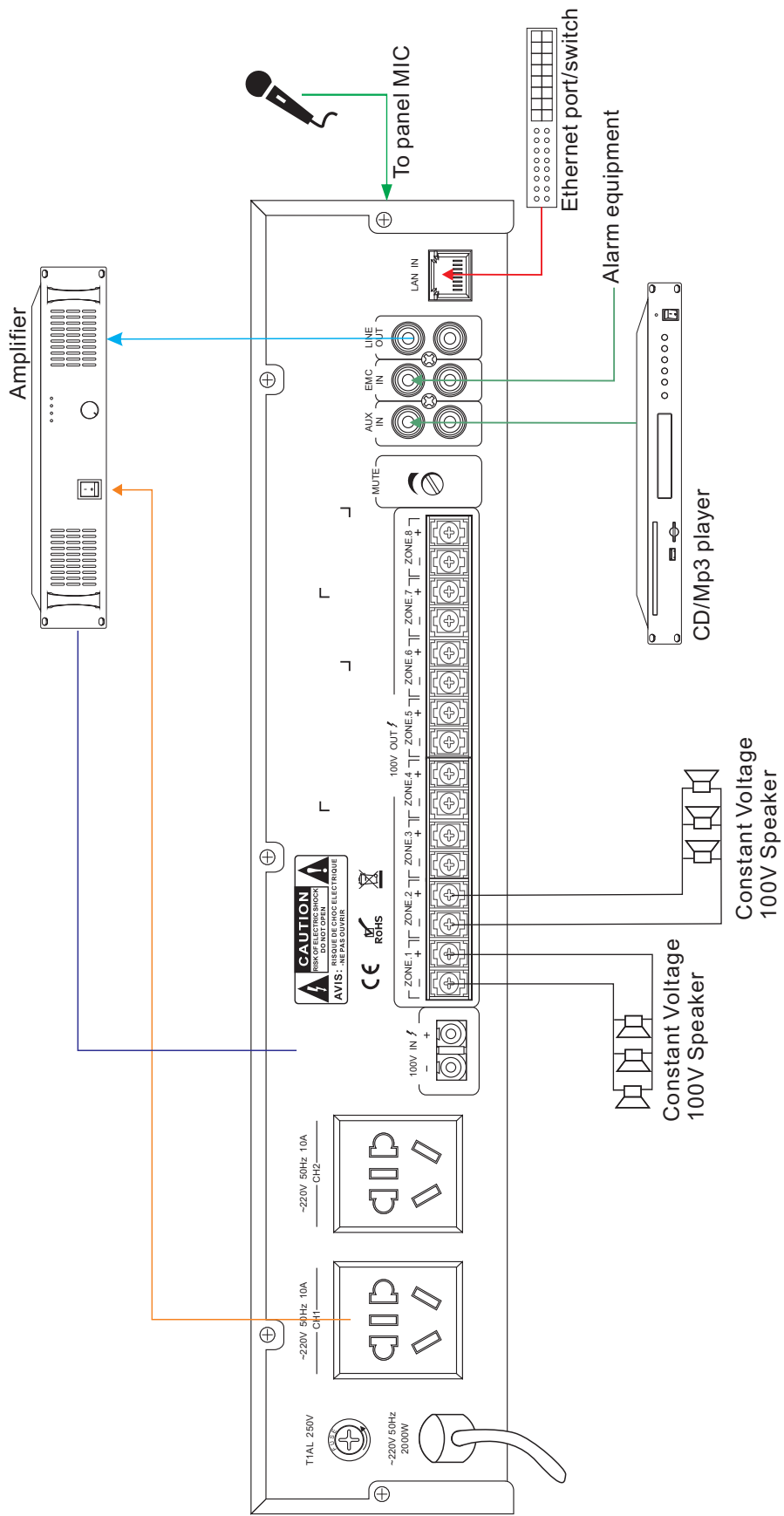


1. Back to Main Menu
2. Confirm button/up/down/left/right select direction button
3. Number button 0-9, button*, button#
4. Volume reducing button
5. Volume increasing button
6. Return button
7. Work status indicator
8. Reserved function button
9. Stop button

5. FUNCTIONAL DESCRIPTION



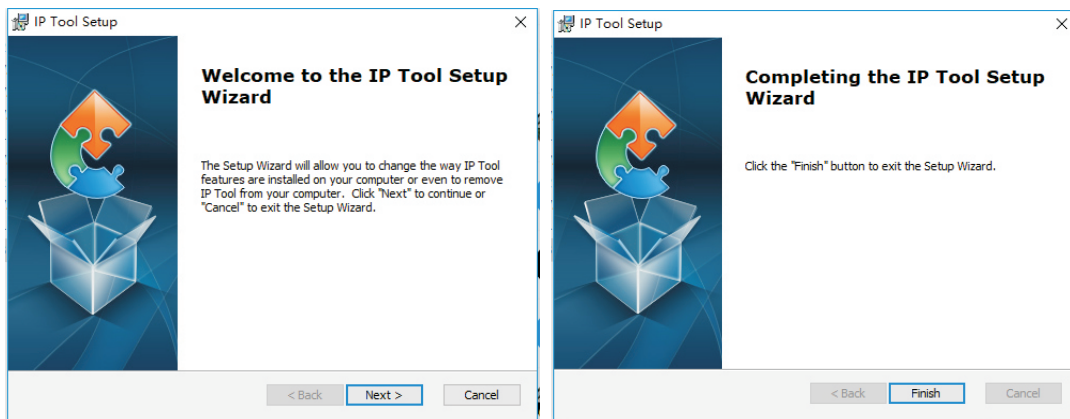
6. WIRING DIAGRAM



7. TERMINAL CONFIGURATION OPERATING INSTRUCTIONS

The terminal needs to be configured before installation, before installation, need make a installation plan including terminal name, terminal IP address, gateway IP address, server IP address, location of terminal installation, and label the information on the terminal to ensure the convenient use of the device. Please save the plan as an electronic document for future maintenance. After the system planning is completed, please configure parameters of each terminal includes “terminal IP address, subnet mask, gateway and server address”.

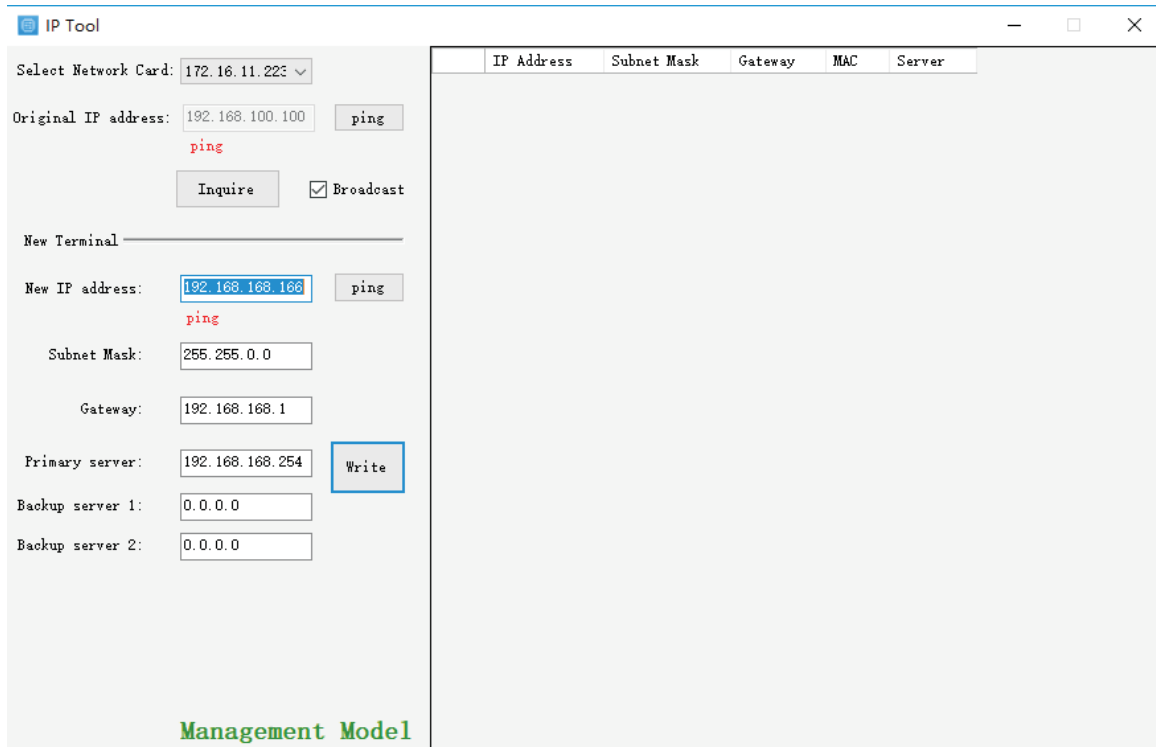
1. Installing software. Find the IP network broadcast system software installation package, double-click to open it, click on the program “terminal configuration tool”, after the installation of the program is completed, as shown below:



2. After the program is installed, a icon is generated on the desktop, as shown below:



3. Double-click the icon to run, and the “terminal configuration tool” window will pop up, as shown below:



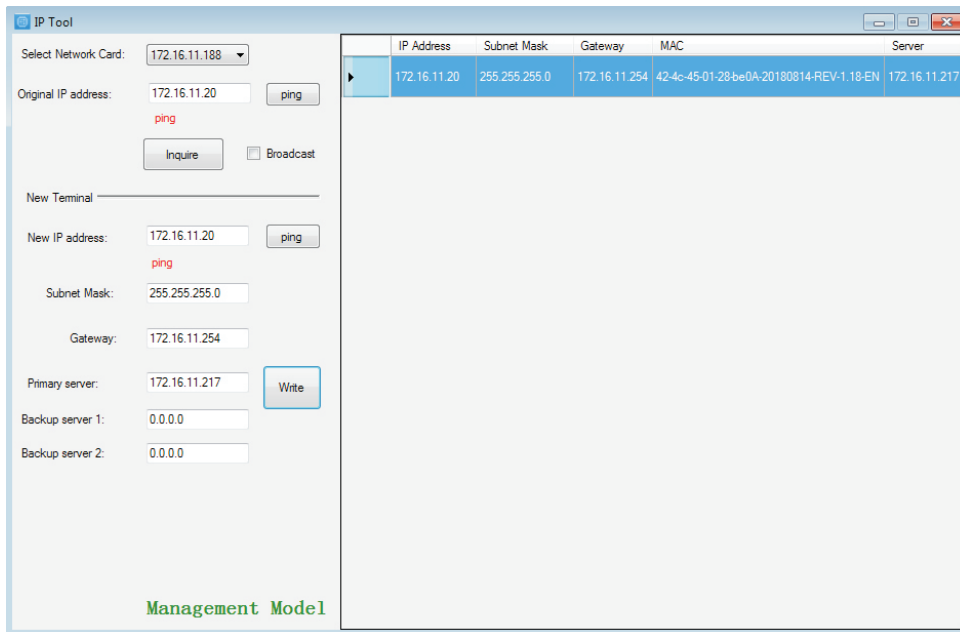
7. TERMINAL CONFIGURATION OPERATING INSTRUCTIONS

The configuration steps:

Step 1: Connect the terminal and the computer installed with the terminal configuration tool program by the network wire, Plug in the power until the terminal power indicator is on.

Step 2: double-click to open the shortcut icon of “ terminal configuration tool”, select the network card first, and left-click the “query” button in the window, to query the terminal’s original IP address. Please pay attention to: local IP address of the computer should be set in the same network segment as the terminal, because the default IP of terminal is : 192.168.168.166, so the computer’s local IP address should also be set to: 192.168.168.X, otherwise it maybe not match the IP terminal address.

Step 3: In the window of “Terminal Configuration Tool” , fill in correct “IP address”, “Subnet mask”, “Gateway IP” and “Server IP”, as below :



The screenshot shows the 'IP Tool' window with the following configuration fields:

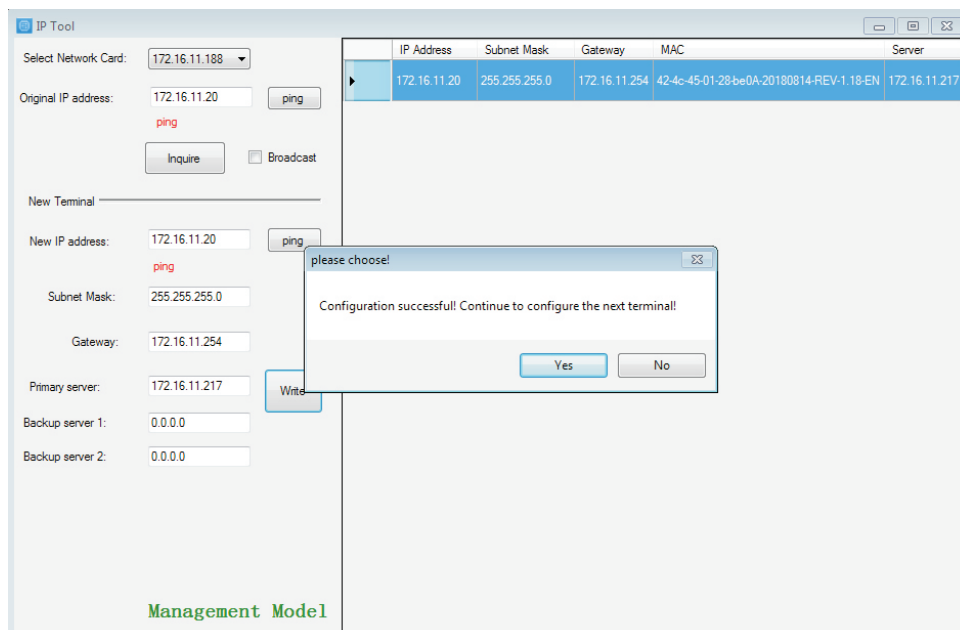
- Select Network Card: 172.16.11.188
- Original IP address: 172.16.11.20 (with a 'ping' button)
- Inquire button and Broadcast checkbox
- New Terminal section:
- New IP address: 172.16.11.20 (with a 'ping' button)
- Subnet Mask: 255.255.255.0
- Gateway: 172.16.11.254
- Primary server: 172.16.11.217 (with a 'Write' button)
- Backup server 1: 0.0.0.0
- Backup server 2: 0.0.0.0

A table on the right displays terminal information:

IP Address	Subnet Mask	Gateway	MAC	Server
172.16.11.20	255.255.255.0	172.16.11.254	42-4c-45-01-28-be0A-20180814-REV-1.18-EN	172.16.11.217

Management Model

Step 4: left click on the “write” button, there will be a window prompt after the successful configuration; after that, left click on the “query” button, the parameters of the terminal will be re-read by the configuration program, if it display as the same as entered one, means that the configuration was successful.



The screenshot shows the 'IP Tool' window with a confirmation dialog box overlaid. The dialog box contains the text: "Configuration successful! Continue to configure the next terminal!" and has 'Yes' and 'No' buttons.

Management Model

7. TERMINAL CONFIGURATION OPERATING INSTRUCTIONS

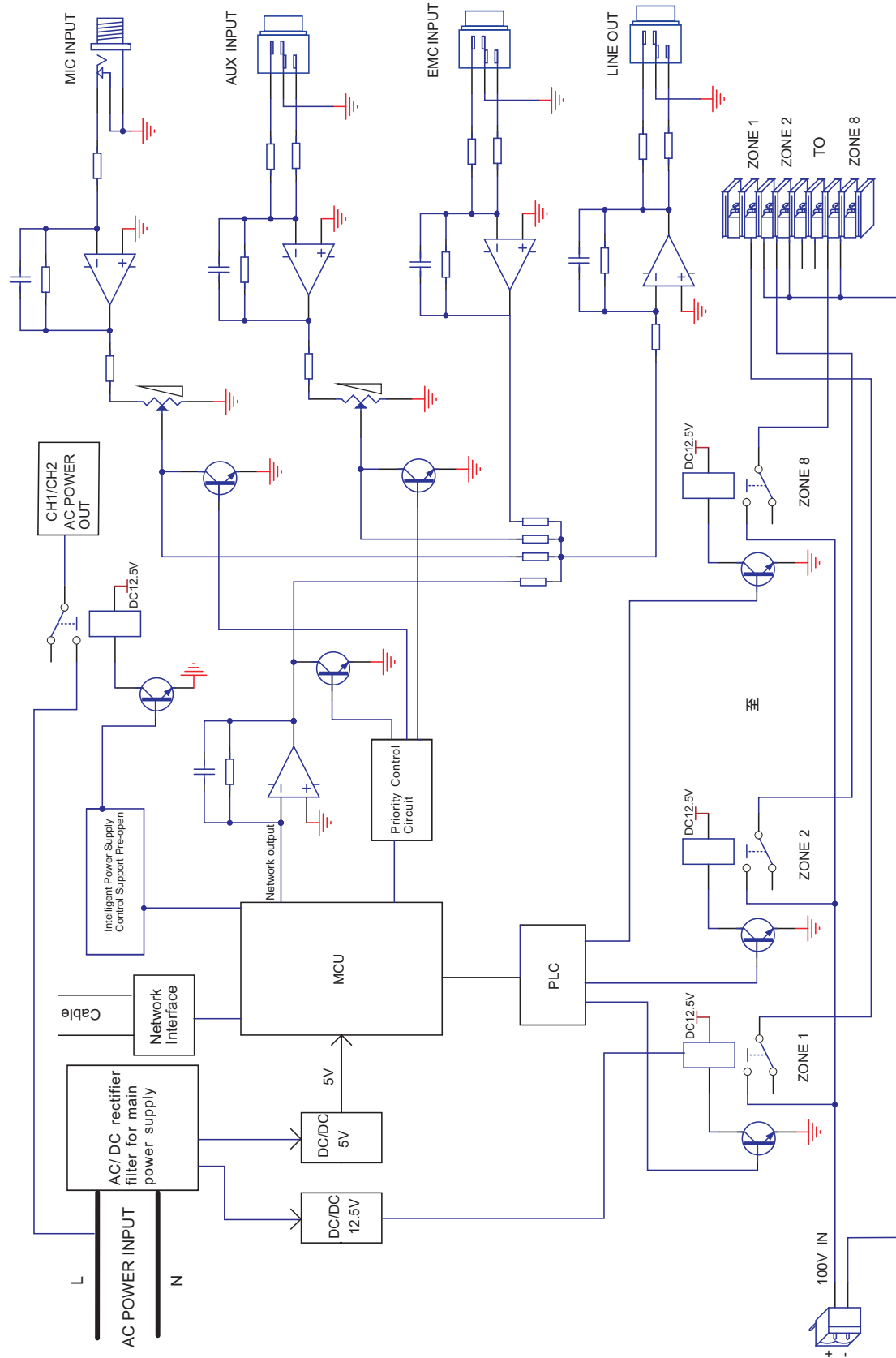
Step 5: If multiple terminals are in the same network segment, you only need to modify the IP address of one terminal, it is needed to click on the terminal in the queried terminals list, then cancel the choice of broadcast on the left interface, modify the IP address and click for configuration.

The IP Tool interface consists of a configuration panel on the left and a data table on the right. The configuration panel includes fields for network card selection, original and new IP addresses, subnet mask, gateway, and primary/backup servers. The data table lists terminal information including IP Address, Subnet Mask, Gateway, MAC, and Server.

IP Address	Subnet Mask	Gateway	MAC	Server
172.16.11.20	255.255.255.0	172.16.11.254	42-4c-45-01-28-be0A-20180814-REV-1.18-EN	172.16.11.217
172.16.11.22	255.255.255.0	172.16.11.254	42-4c-45-00-4E-92F103RCT6-TR-20170225-REV-9.15-CN	172.16.11.228.0.0.0.0.0.0.0
172.16.11.31	255.255.255.0	172.16.11.254	42-4c-45-00-5D-10F103RCT6-TR-20170225-REV-9.15-CN	172.16.11.218.0.0.0.0.0.0.0
172.16.11.34	255.255.255.0	172.16.11.254	42-4c-45-00-51-4BF103RCT6-TR-20170225-REV-9.15-CN	172.16.11.218.0.0.0.0.0.0.0
172.16.11.37	255.255.255.0	172.16.11.254	42-4c-45-00-63-F02F103RCT6-20170606-REV-9.17-CN	172.16.11.228.0.0.0.0.0.0.0
172.16.11.38	255.255.255.0	172.16.11.254	42-4c-45-00-FF-002F103RCT6-20170606-REV-9.17-CN	172.16.11.214.0.0.0.0.0.0.0
172.16.11.45	255.255.255.0	172.16.11.254	42-4c-45-00-86-532F103RCT6-20170606-REV-9.17-CN	172.16.11.228.0.0.0.0.0.0.0
172.16.11.63	255.255.255.0	172.16.11.254	42-4c-45-00-17-15	172.16.11.228
172.16.11.66	255.255.255.0	172.16.11.254	42-4c-45-01-9F-902F103RCT6-20170606-REV-9.17-CN	172.16.11.218.0.0.0.0.0.0.0

Notes: If the terminal data can't be queried or the network is blocked, the pop-up window will say Reconfigure the IP address or IP address writing error. In this case, please reconfigure the network, check the network cable, and turn off the firewall, etc.

8. BLOCK DIAGRAM

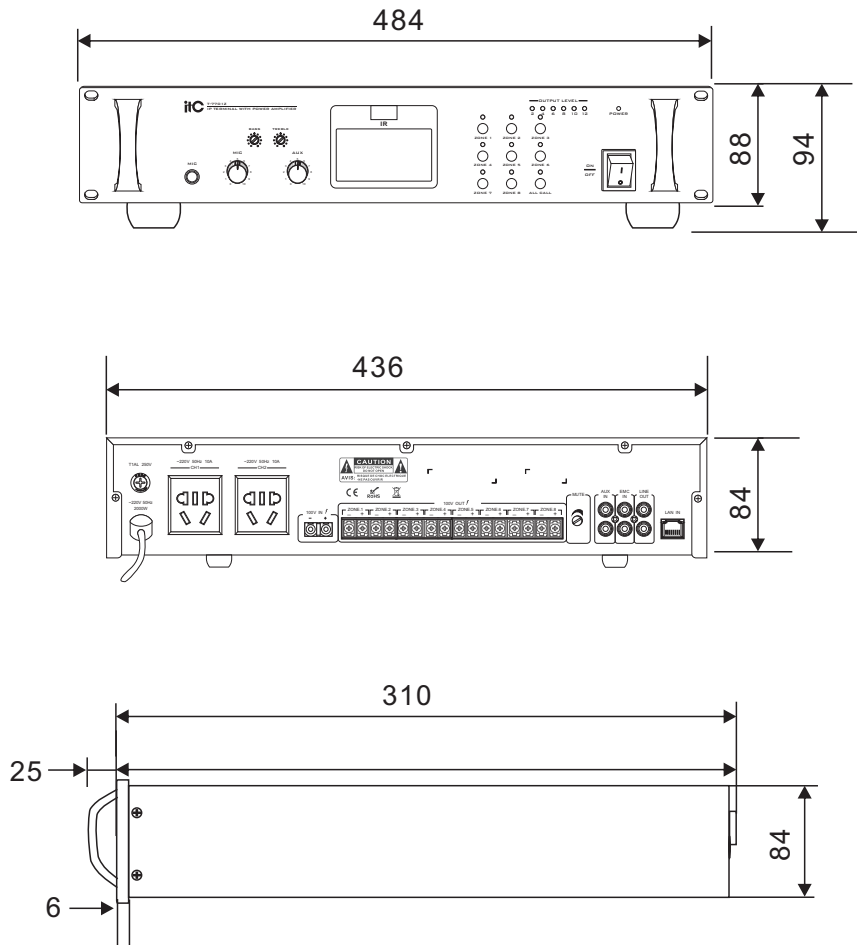


9. SPECIFICATIONS

Model	T-7701Z
Network Interface	Standard RJ45 input
Support protocol	TCP/IP, UDP, IGMP (Multicast)
Audio Format	Mp3
Audio mode	16 bit stereo CD tone quality
Sampling Frequency	8K~48KHz
Bit rate	8K~512Kbps
EMC Input Sensitivity	775mV (unbalance)
AUX Input Sensitivity	350mV (unbalance)
MIC Input Sensitivity	5mV (unbalance)
AUX output amplitude	1000mV 2 road lotus output interface
AUX output impedance	470 Ω
Treble boost, attenuation	± 10 dB
Bass boost, attenuation	± 10 dB
Frequency response	80Hz~16KHz(+1dB, -3dB)
Power Consumption	2000W
THD	$\leq 1\%$
S/N Ratio	≥ 65 dB
Environmental Temperature	5 $^{\circ}$ C~40 $^{\circ}$ C
Environment Humidity	20%~80% Relative humidity, without condensation
Power Supply	<input type="checkbox"/> ~110V 50Hz <input type="checkbox"/> ~110V 60Hz <input type="checkbox"/> ~120V 50Hz <input type="checkbox"/> ~120V 60Hz <input type="checkbox"/> ~220V 50Hz <input type="checkbox"/> ~220V 60Hz <input type="checkbox"/> ~230V 50Hz <input type="checkbox"/> ~230V 60Hz <input type="checkbox"/> ~240V 50Hz <input type="checkbox"/> ~240V 60Hz
Dimensions	484x335x88mm
Weight	5.2Kg

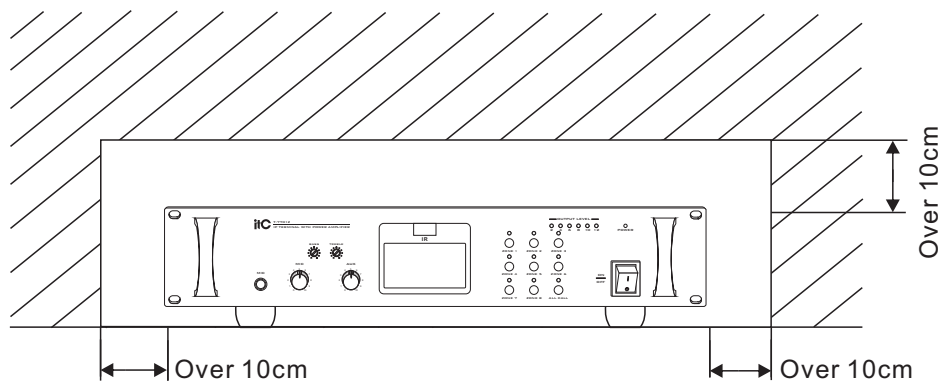
10. DIMENSIONAL DIAGRAM

UNIT :mm



Keep the unit's all sides over 10 cm away from objects that may obstruct air flow to prevent the unit's internal temperature rise.

UNIT :mm



IP NETWORK PA SYSTEM

VersionV0.1

