

Network Video Recorder

NVR508-E-R Series



Key Features

- Support Ultra 265/H.265/H.264 video formats
- 32/64-channel input
- Support mainstream cameras of ONVIF conformance(Profile S, Profile G, Profile T) and RTSP protocols
- Support 2 HDMI and 2 VGA. VGA1 and HDMI1 simultaneous output, VGA2 and HDMI2 simultaneous output. VGA1/HDMI1 and VGA2/HDMI2 independent output
- Up to 32 Megapixels resolution recording
- 8 SATA HDDs, up to 16TB for each HDD
- Support N+1 Hot spare
- Support HDD hot swap with RAID 0, 1, 5, 6, 10 storage scheme configurable
- Redundant power supply optional
- ANR technology to enhance the storage reliability when the network is disconnected
- Support cloud upgrade

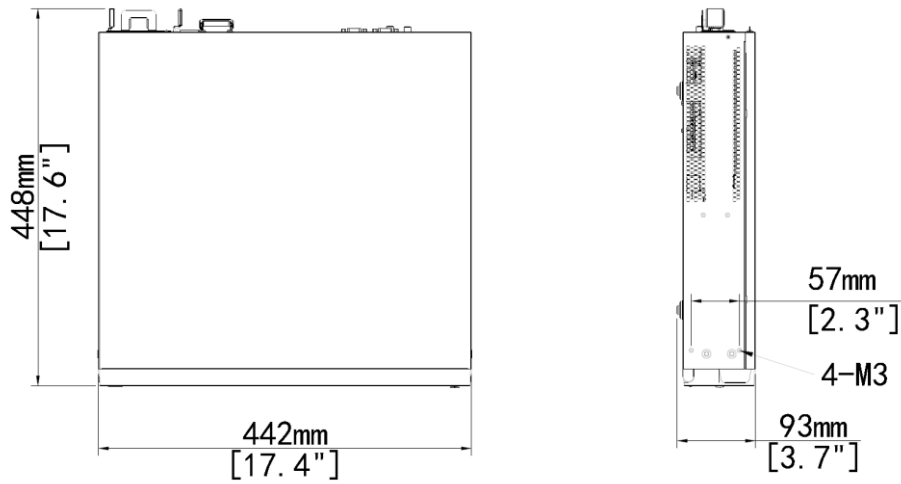
Specifications

| Model | NVR508-32E-R | NVR508-64E-R |
|-------------------|--------------|--------------|
| Video/Audio Input | | |
| IP Video Input | 32-ch | 64-ch |
| Audio Input | 1-ch, RCA | |
| Network | | |

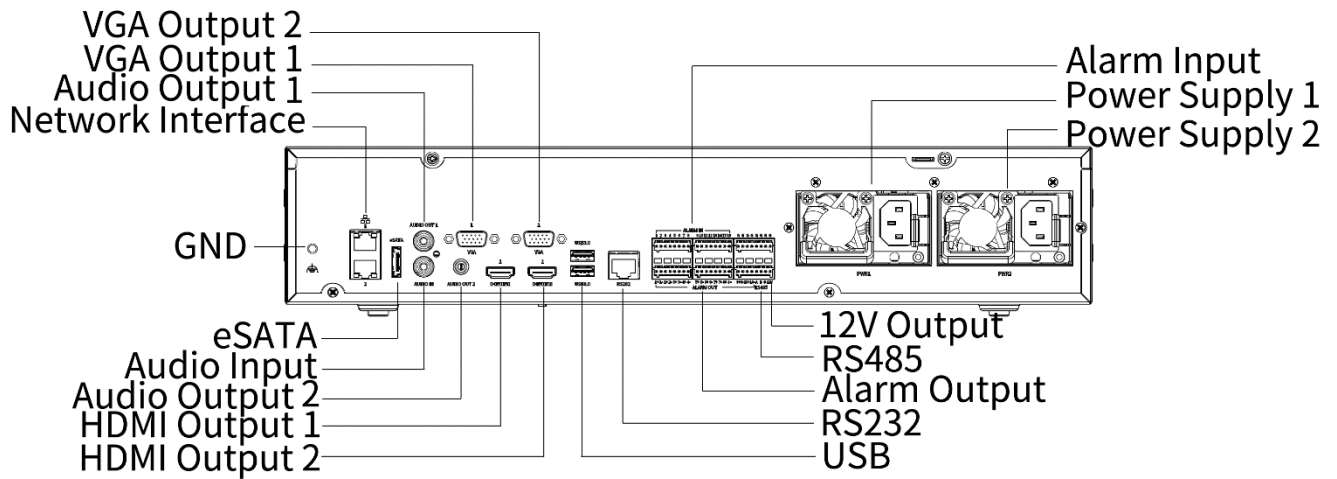
| | | |
|-----------------------------|--|---|
| Incoming bandwidth | 384Mbps | |
| Outgoing bandwidth | 384Mbps | |
| Remote Users | 128 | |
| Protocols | TCP/IP, P2P, UPnP, NTP, DHCP, PPPoE, HTTP, HTTPS, DNS, DDNS, SNMP, SMTP, NFS, RTSP, 802.1x, IPV6 | |
| Browser | IE(IE10/11) for Windows Firefox (version 52.0 and above) for Windows Chrome(version 45 and above) for Windows Edge(version 79 and above) for Windows | |
| Video/Audio Output | | |
| HDMI/VGA Output | HDMI1, HDMI2: 4K (3840x2160)@60, 4K (3840x2160)@30, 1920x1080p@60, 1920x1080p@50, 1600x1200@60, 1280x1024@60, 1280x720@60, 1024x768@60 VGA1, VGA2: 1920x1080p@60, 1920x1080p@50, 1600x1200@60, 1280x1024@60, 1280x720@60, 1024x768@60 | |
| Recording Resolution | 32MP/16MP/12MP/8MP/6MP/5MP/4MP/3MP/1080p/960p/720p/D1/2CIF/CIF | |
| Audio Output | 2-ch, RCA | |
| Two-way Audio | 1-ch, RCA(Using the audio input and output) | |
| Audio Compression | G.711A, G.711U | |
| Synchronous Playback | 16-ch | |
| Live View Display | 1/4/6/8/9/16/25/32 | HDMI1, VGA1: 1/4/6/8/9/16/25/36/64 HDMI2, VGA2: 1/4/6/8/9/16/25/36 |
| Corridor Mode Screen | 3/4/5/7/9/10/12/16/32 | |
| Snapshot | | |
| FTP/Schedule/Event Snapshot | 16-ch snapshot, up to 1080P resolution | |
| Decoding | | |
| Decoding Format | Ultra 265/H.265/H.264 | |
| Live View/Playback | 32MP/12MP/8MP/6MP/5MP/4MP/3MP/1080p/960p/720p/D1/2CIF/CIF | |
| Capability | 2 x 32MP@30, 4 x 16MP@30, 5 x 12MP@30, 8 x 4K@30, 16 x 4MP@30, 32 x 1080P@30, 54 x 960P@25, 72 x 720P@30, 128 x D1 | |
| Hard Disk | | |
| SATA | 8 SATA interfaces | |
| Capacity | Up to 16TB for each disk | |
| Disk Group | Support | |
| Disk Array Type | RAID 0/1/5/6/10 | |
| Smart | | |
| VCA Detection by Camera | Face Detection, Face Comparison, Vehicle Detection, Intrusion Detection, Cross Line Detection, Enter Area, Leave Area, Ultra Motion Detection(UMD), Temperature Detection(Fire Detection, Smoking Detection, Temperature Measurement, Smoke and Fire Detection), People Counting(People Flow Counting, Crowd Density Monitoring), Video Metadata, Traffic Monitoring | |

| | |
|--|---|
| VCA Search | Face Snapshot Search, Face Comparison Search, Motor Vehicle Search, Non-Motor Vehicle Search, Human Body Search, General Search, People Counting Report, Heat Map |
| People Counting | People Flow Counting, Crowd Density Monitoring |
| Smart Intrusion Prevention (SIP), Face Detection, Face Comparison, Vehicle Detection, UMD, Temperature Detection, Video Metadata, Traffic Monitoring by Camera | Total 16-ch |
| General Alarm | |
| General Alarm | Defocus Detection, Scene Change Detection, Object Left Behind, Object Removed, Auto Tracking, Motion, Tampering, Human Body Detection, Video Loss, Alarm Input, Audio Detection |
| Alert Alarm | IP Conflict, Network Disconnected, Disk Offline , Disk Abnormal, Illegal Access, Hard Disk Space Low, Hard Disk Full, Recording/Snapshot Abnormal |
| External Interface | |
| Network Interface | 2 RJ-45 10M/100M/1000M self-adaptive Ethernet Interface |
| USB Interface | Front: 2 x USB2.0, Rear panel: 2 x USB3.0 |
| eSATA | 1 |
| RS232 | 1 |
| RS485 | 1 |
| Alarm In | 16-ch |
| Alarm Out | 10-ch |
| Power Output | 12V |
| General | |
| Power Supply | 100~240V AC Power Consumption: ≤ 50W (without HDD) |
| Working Environment | -10°C~+ 55°C (+14°F~+131°F), Humidity ≤ 90% RH (non-condensing) |
| Dimensions (W×D×H) | 442mm × 448mm × 93mm (17.4" × 17.6" × 3.7") |
| Certification | |
| Certification | CE, FCC, UL, RoHS, WEEE |
| CE | EN 55032, EN 61000-3-3, EN IEC 61000-3-2, EN 55035 |
| FCC | Part15 Subpart B |

Dimensions



Rear Panel



Zhejiang Uniview Technologies Co., Ltd.

No. 369, Xietong Road, Xixing Sub-district, Binjiang District, Hangzhou City, Zhejiang Province, China

Email: overseasbusiness@uniview.com; globalsupport@uniview.com

<http://www.uniview.com>

©2023 Zhejiang Uniview Technologies Co., Ltd. All rights reserved.

* Product specifications and availability are subject to change without notice.