

LB10-UC06-L Cabinet speaker 6W angled white

www.boschsecurity.com



BOSCH
Invented for life



- ▶ Good speech intelligibility and background music reproduction
- ▶ ABS construction
- ▶ Complies with international installation and safety regulations

The LB10-UC06-L is a 6 W, general-purpose, cost-effective loudspeaker for indoor use. Keyholes at the rear are provided for quick and easy wall mounting.

Functions

The enclosure is made of robust, solid ABS (acrylonitrile butadiene styrene). The angled front baffle results in improved high frequency reproduction in the listening area. This speaker is also available with a volume control.

Certifications and approvals

Quality assurance

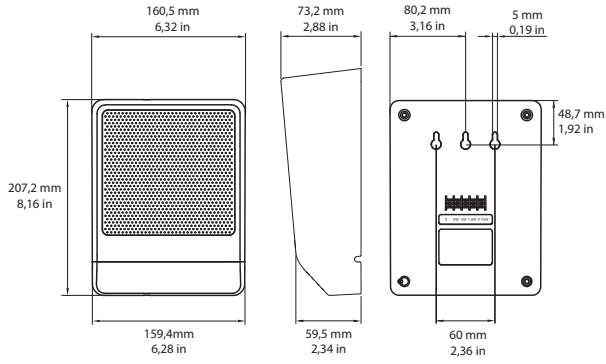
All Bosch loudspeakers are designed to withstand operating at their rated power for 100 hours in accordance with IEC 60268-5 Power Handling Capacity (PHC) standards. Bosch has also developed the Simulated Acoustical Feedback Exposure (SAFE) test to demonstrate that they can withstand two times their rated power for short durations. This ensures improved reliability under extreme conditions, leading

to higher customer satisfaction, longer operating life, and lessens the chance of failure or performance deterioration.

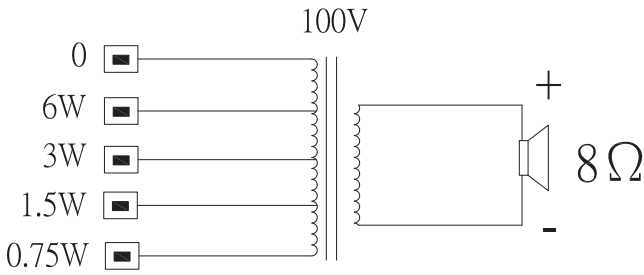
Safety acc. to EN 62368-1

Installation/configuration notes

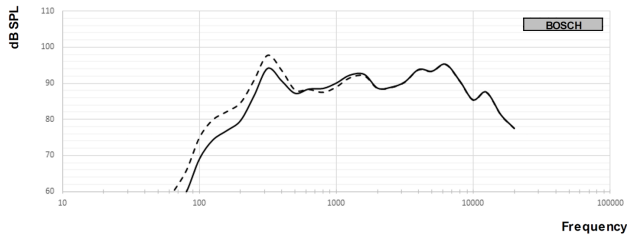
Three keyholes in the rear panel provide easy and quick wall mounting. A convenient, easy-to-use, four-pole screw terminal block is on the rear panel for on-site wiring. This terminal block has provision for power tapping on the 100 V, matching transformer in the cabinet. It allows selection of nominal full-power, half-power or quarter-power radiation (in 3 dB steps).



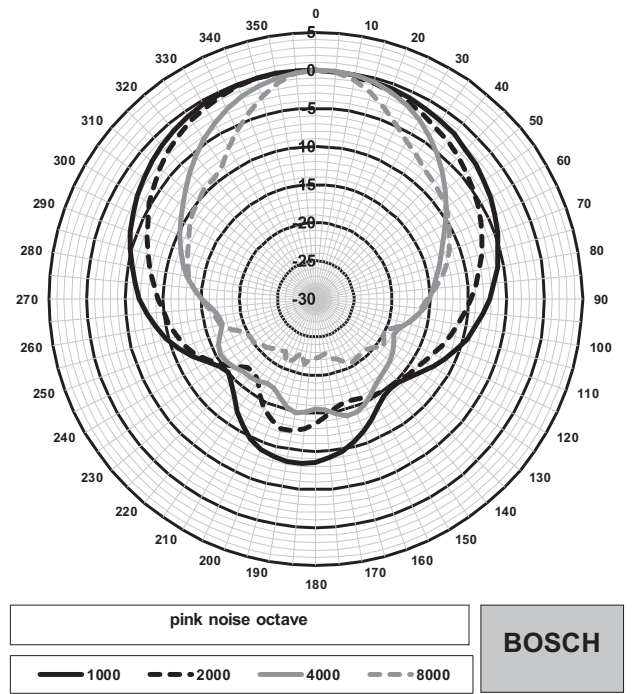
LB10-UC06-x dimensions



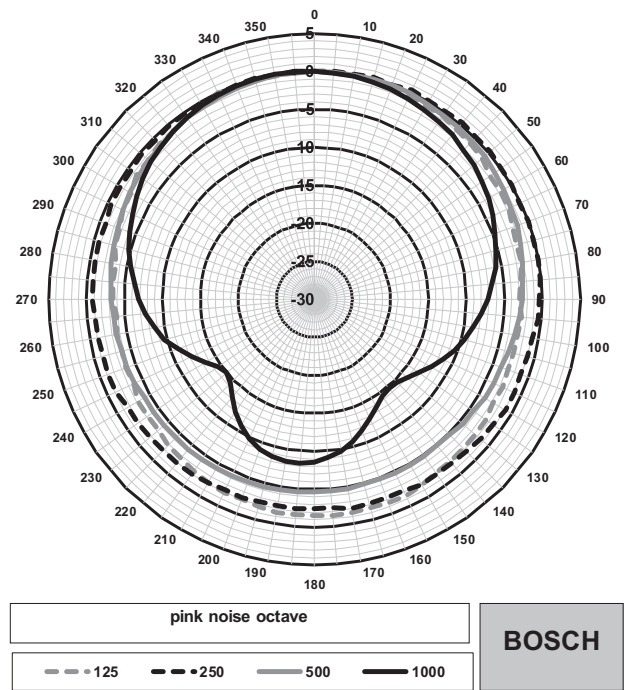
Circuit diagram



Frequency response
 — Full-space measurement result
 - - - Half-space measurement result



Polar diagram horizontal (high frequency). Normalized at 0 degrees axis.



Polar diagram horizontal (low frequency). Normalized at 0 degrees axis.

Parts included

Quantity	Component
1	LB10-UC06-L Cabinet loudspeaker 6W angled white
1	Installation instruction

Technical specifications**Electrical***

Rated power	6 / 3 / 1.5 / 0.75 W
Sound pressure level at 6 W / 1 W (1 m)	99 dB / 91 dB (SPL)
Effective frequency range	145 Hz to 18kHz (-10 dB)
Opening angle	1 kHz / 4 kHz (-6 dB)
horizontal	165° / 88°
vertical	165° / 88°
Rated input voltage	100 V
Rated impedance	1667 ohm
Connector	4-pole screw terminal block

* Technical performance data acc. to IEC 60268-5 (half space)

Mechanical

Dimensions (H x W x D)	207.2 mm x 160.5 mm x 73.2 mm (8.16 in x 6.32 in x 2.88 in)
Weight	0.77 kg (1.70 lb)
Color	White (RAL 9003)

Environmental

Operating temperature	-25 °C to +55°C (-13 °F to +131 °F)
Storage and transport temperature	-40 °C to +70 °C (-40 °F to +158 °F)
Relative humidity	<95%

Ordering information**LB10-UC06-L Cabinet speaker 6W angled white**

Cabinet loudspeaker 6 W, ABS enclosure, finished in white, with 3 keyholes for wall mounting.

Order number **LB10-UC06-L**

Represented by:

Europe, Middle East, Africa:
Bosch Security Systems B.V.
P.O. Box 80002
5600 JB Eindhoven, The Netherlands
Phone: + 31 40 2577 284
emea.securitysystems@bosch.com
emea.boschsecurity.com

Germany:
Bosch Sicherheitssysteme GmbH
Robert-Bosch-Ring 5
85630 Grasbrunn
Germany
www.boschsecurity.com

North America:
Bosch Security Systems, Inc.
130 Perinton Parkway
Fairport, New York, 14450, USA
Phone: +1 800 289 0096
Fax: +1 585 223 9180
onlinehelp@us.bosch.com
www.boschsecurity.us

Asia-Pacific:
Robert Bosch (SEA) Pte Ltd, Security Systems
11 Bishan Street 21
Singapore 573943
Phone: +65 6571 2808
Fax: +65 6571 2699
apr.securitysystems@bosch.com
www.boschsecurity.asia