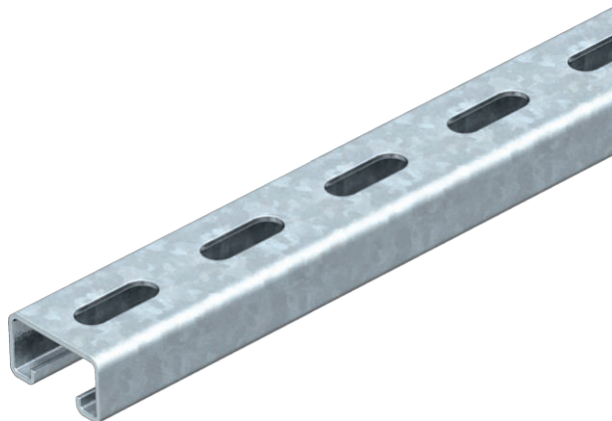


Technical data sheet

MS4121 mounting rail, slot 22 mm, perforated

Item no. 1122923



Heavy-duty C profile rail for individual installation of support constructions, e.g. for cable trays or as a panel for switchgear cabinets. Can also be used for cable routing, in conjunction with clamp clips with a U foot.

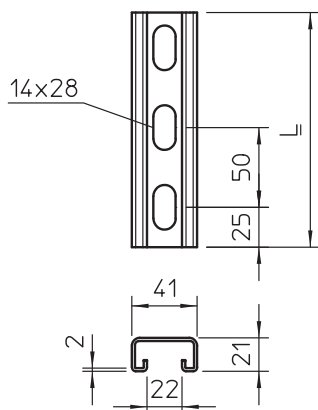


St	Steel
FT	Hot-dip galvanised

Master data

Item no.	1122923
Type	MS4121P2000FT
Description 1	Profile rail
Description 2	perforated, slot 22mm
Dimension	2000x41x21
Material	Steel
Material symbol	St
Surface	Hot-dip galvanised
Surface to DIN	DIN EN ISO 1461
Surface symbol	FT
Smallest sales unit (VG)	2,00 m
Weight	183,00 kg/100 m

Technical data



Length	2.000,00 mm
Width	41,00 mm
Height	21,00 mm
Dimension L	2.000,00 mm
Breakable	<input type="checkbox"/>
lampDimension WxH	41x21 mm
Version	Single profile
Type of perforation	Perforated back
Drill hole spacing, centre	50,00 mm
Suitable for maintaining electrical function	<input type="checkbox"/>
Hole size	14x28 mm
Material thickness	2,00 mm
With perforation	<input checked="" type="checkbox"/>
With tothing	<input checked="" type="checkbox"/>

Technical data sheet

MS4121 mounting rail, slot 22 mm, perforated

Item no. 1122923



Technical data

Profile shape	C profile
Slot width	22,00 mm
Static value A	1,65 cm ²
Static value I _y	0,95 cm
Static value I _z	4,51 cm
Static value W _y	0,89 cm ³
Static value W _z	2,20 cm ³