

# Technical data sheet

VA cable bracket for isCon® conductor for mounting  
on roof/wall structures  
Item no. 5408056



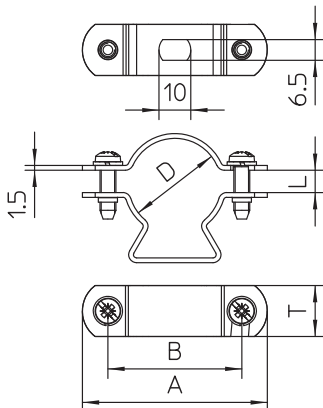
- For isCon® conductor for mounting on roof/wall structures
- With sprung discs to protect the screws against loosening

A2 Stainless steel, rustproof 1.4301

## Master data

Item no.	5408056
Type	isCon H VA
Description 1	Cable fixing device
Description 2	for isCon conductor
Dimension	ø 23mm
Material	Stainless steel, material no. 1.4301
Material symbol	A2
Smallest sales unit (VG)	50,00 Piece
Weight	2,85 kg/100 pc.

## Technical data



Dimension A	52,00 mm
Dimension B	39,00 mm
Dimension D	21,00 - 23,00 Ø mm
Dimension H	34,00 mm
Dimension L	2,50 mm
Dimension T	14,00 mm
Cable dimensions	21-23 mm round
Fit	21-23 mm rund mm