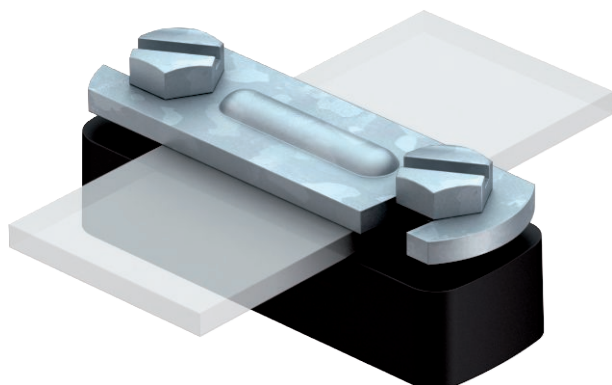


Technical data sheet

Spacer clip for flat conductor, with polyamide base

Item no. 5033039



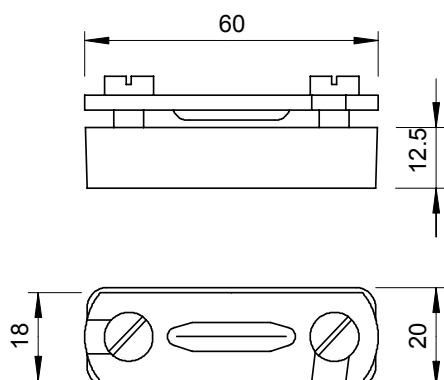
- Fit: FL 30
- With mounting hole 6.2 x 22 mm
- With 2 cylinder bolts M6 x 16 and over-piece from hot-dip galvanised steel
- Bottom section from polyamide, black

| | |
|----|--------------------|
| St | Steel |
| FT | Hot-dip galvanised |

Master data

| | |
|--------------------------|--------------------|
| Item no. | 5033039 |
| Type | 833 35 |
| Description 1 | Distance saddle |
| Description 2 | for steel strip |
| Dimension | 35mm |
| Material | Steel |
| Material symbol | St |
| Surface | Hot-dip galvanised |
| Surface to DIN | DIN EN ISO 1461 |
| Surface symbol | FT |
| Smallest sales unit (VG) | 25,00 Piece |
| Weight | 4,23 kg/100 pc. |

Technical data



| | |
|--------------------|--------------------------|
| Dimension B | 60,00 mm |
| Fit | max. FL30 mm |
| Intermediate plate | <input type="checkbox"/> |