

QND-8021

5МП H.265 сетевая купольная камера(Q mini)



Key Features

- Макс. разрешение 5 Мп (2592 x 1944)
- Объектив 4 мм с постоянным фокусом
- 0,15 лк (цветн.), WRD (120 дБ)
- До 30 кад/с при 5 Мп (H.265/H.264)
- Поддержка кодеков H.265, H.264, MJPEG, многоканальная передача видео
- Обнаружение внешнего воздействия, движения, расфокусировки
- Слот для карт памяти micro SD/SDHC/SDXC (макс. 128 Гб)
- Функция обзора коридоров, поддержка WiseStream II
- Функция коррекции искажения объектива, технология PoE

Compatible Accessories (Optional)



SBP-300KMW



SBP-300PMW



SBP-300BW



SBP-300CMW



SBP-300LMW



SBP-300NBW



SBP-300WMW



SPG-IND16B



SBP-300WMW1

Video	
Imaging Device	1/2.8" 5MP CMOS
Resolution	5MP mode : 2592x1944, 1920x1080, 1280x960, 1280x720, 800x600, 800x448, 720x576, 720x480, 640x480, 640x360, 320x240 4MP mode : 2560x1440, 1920x1080, 1280x960, 1280x720, 800x600, 800x448, 720x576, 720x480, 640x480, 640x360, 320x240
Max. Framerate	H.265/H.264: Max. 30fps/25fps(60Hz/50Hz) MJPEG: Max. 15fps/12fps(60Hz/50Hz)
Min. Illumination	Color: 0.15Lux(F1.6, 1/30sec)
Video Out	HDMI: 1080p@30/25fps(60/50Hz)
Lens	
Focal Length (Zoom Ratio)	4.0mm fixed focal
Max. Aperture Ratio	F1.6
Angular Field of View	H: 80.1° / V: 58.0° / D: 105.8°
Focus Control	Fixed
Pan / Tilt / Rotate	
Pan / Tilt / Rotate Range	0°~350° / 0°~69° / 0°~355°
Operational	
Camera Title	Displayed up to 85 characters
Day & Night	Auto(Electrical)
Backlight Compensation	BLC, WDR, SDR
Wide Dynamic Range	120dB
Digital Noise Reduction	SSNR
Motion Detection	4ea, polygonal zones
Privacy Masking	6ea, rectangular zones
Gain Control	Low / Middle / High
White Balance	ATW / AWC / Manual / Indoor / Outdoor
LDC	Support
Electronic Shutter Speed	Minimum / Maximum / Anti flicker (1/5~1/12,000sec)
Video Rotation	Flip, Mirror, Hallway view(90°/270°)
Analytics	Defocus detection, Motion detection, Tampering
Business Intelligence	People counting
Alarm Triggers	Analytics, Network disconnect
Alarm Events	File upload via FTP and e-mail Notification via e-mail SD/SDHC/SDXC or NAS recording at event triggers
Network	
Ethernet	RJ-45(10/100BASE-T)
Video Compression	H.265/H.264: Main/High, MJPEG
Smart Codec	WiseStream II

Bitrate Control	H.264/H.265: CBR or VBR MJPEG: VBR
Streaming	Unicast(6 users) / Multicast Multiple streaming(Up to 3 profiles)
Protocol	IPv4, IPv6, TCP/IP, UDP/IP, RTP(UDP), RTP(TCP), RTCP, RTSP, NTP, HTTP, HTTPS, SSL/TLS, DHCP, FTP, SMTP, ICMP, IGMP, SNMPv1/v2c/v3(MIB-2), ARP, DNS, DDNS, QoS, UPnP, Bonjour, LLDP
Security	HTTPS(SSL) Login Authentication Digest Login Authentication IP Address Filtering User access log 802.1X Authentication(EAP-TLS, EAP-LEAP)
Application Programming Interface	ONVIF Profile S/G/T SUNAPI(HTTP API) Wisenet open platform

General

Webpage Language	English, Korean, Chinese, French, Italian, Spanish, German, Japanese, Russian, Swedish, Portuguese, Czech, Polish, Turkish, Dutch
Edge Storage	Micro SD/SDHC/SDXC 1slot 128GB
Memory	512MB RAM, 256MB Flash

Environmental & Electrical

Operating Temperature / Humidity	-10°C ~ +40°C(-14°F ~ +104°F) / Less than 90% RH
Storage Temperature / Humidity	-30°C ~ +60°C(-22°F ~ +140°F) / Less than 90% RH
Certification	IP42, IK08
Input Voltage	PoE(IEEE802.3af, Class2)
Power Consumption	PoE: Max 5.00W, typical 4.00W

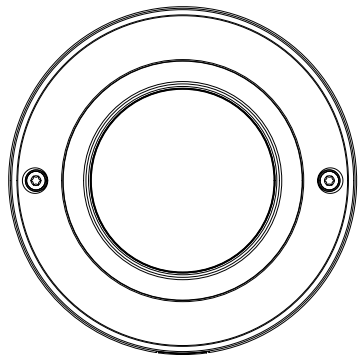
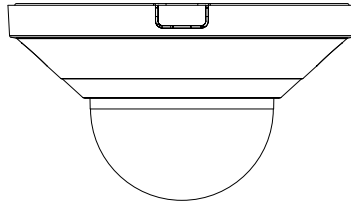
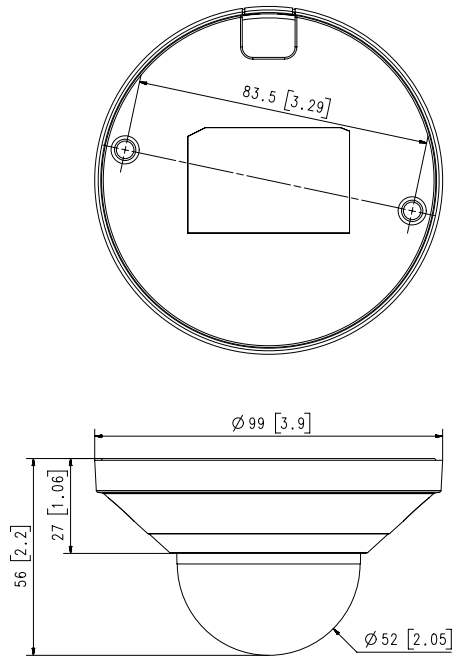
Mechanical

Color / Material	White / Plastic
RAL Code	RAL9003
Product Dimensions / Weight	Ø99.0x56.0mm(Ø3.9x2.2"), 165g(0.36 lb)

DORI

Detect (25PPM/ 8PPF)	61.7m(202.31ft)
Observe (63PPM/ 19PPF)	24.7m(80.92ft)
Recognize (125PPM/ 38PPF)	12.3m(40.46ft)
Identify (250PPM/ 76PPF)	6.2m(20.23ft)

- The latest product information / specification can be found at hanwha-security.com
- Design and specifications are subject to change without notice.
- Wisenet is the proprietary brand of Hanwha Techwin, formerly known as Samsung Techwin.



milimeter (inch)