

Technical data sheet

isCon® conductor, professional plus black

Item no. 5408004



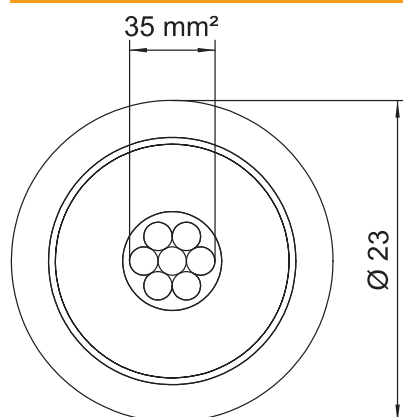
Please refer to the mounting instructions for information on routing the OBO isCon® conductor.

- Highly voltage-resistant, insulated conductor
- Floating discharge-free
- Additional mechanical protection (black protective jacket)
- For maintenance of the separation distance according to IEC 62305 (VDE 0185-305-3)
- Tested according to IEC/EN 62561-1 (VDE 0185-561-1) with H1/150 kA
- Equivalent separation distance $s_e \leq 0.75$ m (air) and $s_e \leq 1.5$ (solid material)
- Tested according to IEC TS 62561-8 (VDE V 0185-561-8)
- Halogen-free
- Fire load 4.3 kWh/m
- Can be used in potentially explosive areas Ex zone 1/2 and 21/22 when taking the current mounting instructions into account

Master data

Item no.	5408004
Type	isCon Pro+ 75 SW
Description 1	Insulated down conductor
Description 2	100 m roll
Dimension	ø 23mm
Colour	Black
Smallest sales unit (VG)	100,00 m
Weight	69,40 kg/100 m

Technical data



Length	100.000,00 mm
equivalent separating distance s(e)/m	0,75
Diameter	23,00 mm
High voltage-resistant, insulated version	<input checked="" type="checkbox"/>
Normal ring	100 ca. m
Nominal size Ø	23 mm
Cross-section	35,00 mm²