

The AT-303AP is a flush-mounted wall attenuator and uses a transformer which allows connection of a wide range of loads (30 W or less). Volume can be adjusted in five steps. The AT-303AP features push-in terminal block for easy connection.

---



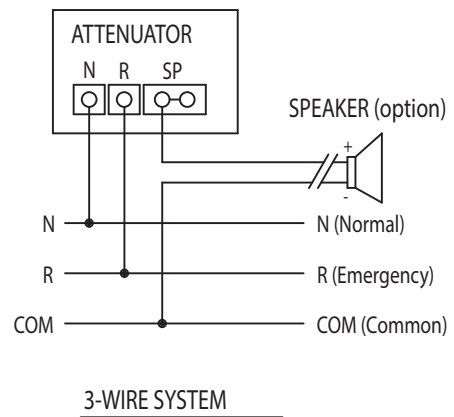
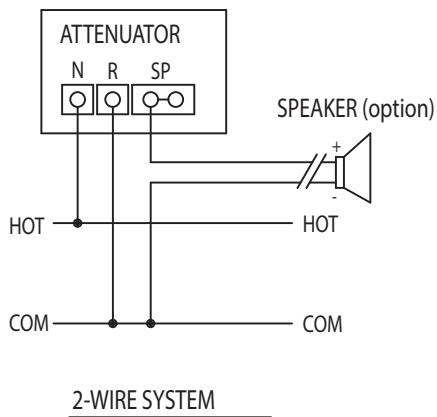
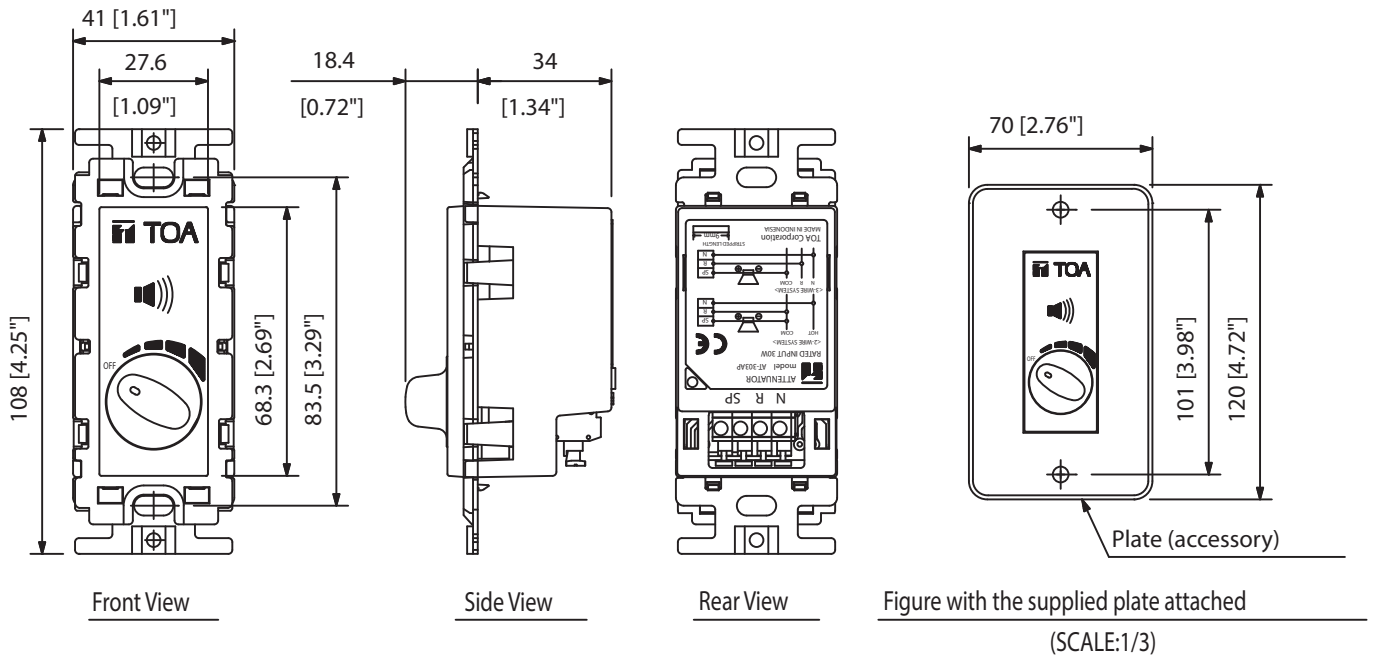
Article number:AT-303AP

---

## Specifications

Dimensions (W x H x D)	70 x 120 x 52,4 mm
Dimensions (ø x D)	x 52,4 mm
Finish	ABS resin, white,
Operating temperature	-10 °C to +50 °C

## Appearance



UNIT:mm

SCALE:1/2