

4MP Fisheye Fixed Dome Network Camera

IPC814SR-DVPF16



Key Features

Optics

- Ultra wide angle lens, 180° panoramic image
- Smart IR, Up to 10 m (33ft) IR distance
- 3D DNR (Digital Noise Reduction)

Compression

- H.265, H.264, MJPEG
- Built-in omnidirectional microphone
- Single stream (1 panoramic view)

Network

- ONVIF Conformance

Structure

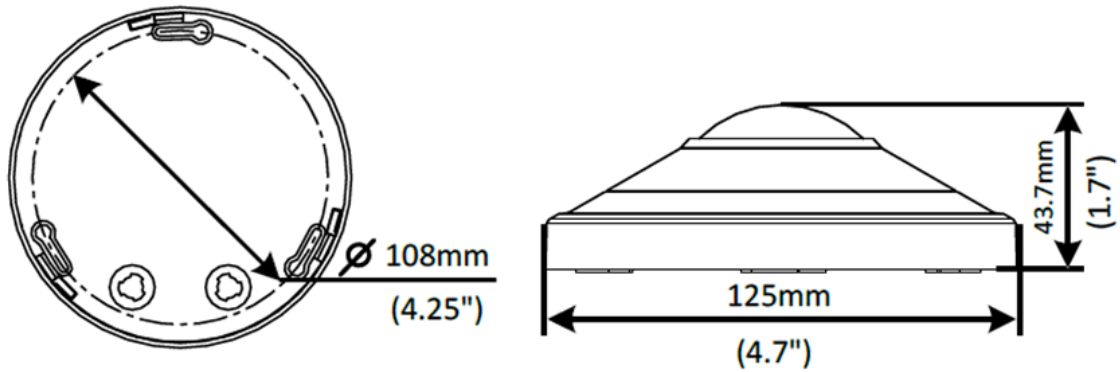
- Support PoE power supply
- Wide temperature range: -40°C to 60°C (-40°F to 140°F)
- Wide voltage range of $\pm 25\%$
- IK10
- IP66

Specifications

	IPC814SR-DVPF16
Camera	
Image sensor	1/3", 4 megapixel, progressive scan, CMOS
Aperture	F1.6
Shutter	Auto/Manual, shutter time: 1/6 s ~1/100000 s
Minimum Illumination	Colour: 0.02 Lux (F1.6, AGC ON) 0 Lux with IR
S/N Ratio	>55dB
Day / Night	IR-cut filter for day & night function
WDR	120 dB
Video	
Max. Resolution	2592×1520
Video Compression	H.265, H.264, MJPEG
Frame Rate	4MP (2560×1440): Max.25 fps
ROI(Region of Interest)	Supported
Maximum Streams	Singlestream (1 panoramic view)
Evaluative Metering	Supported
OSD	Up to 8 OSD
Privacy Mask	Supported
Storage	
Edge Storage	Micro SD, up to 128GB
Network	
Protocols	L2TP, IPv4, IGMP, ICMP, ARP, TCP, UDP, DHCP, PPPoE, RTP, RTSP, RTCP, DNS, DDNS, NTP, FTP, UPnP, HTTP, HTTPS, SMTP, 802.1x
Compatible Integration	ONVIF, API
Interface	
Audio I/O	Audio interface
	Input: impedance 35 kΩ; amplitude 2 V [p-p]
	Output: impedance 600 Ω; amplitude 2 V [p-p]
	3 built-in omnidirectional microphone
Alarm I/O	1 / 1
Video Output	1 BNC, impedance 75 Ω; amplitude 1 V [p-p]
Network	10M/100M Base-TX Auto-adaptive Ethernet
Reset	1 Reset Button
General	
Power	DC12V±25%,PoE(IEEE 802.3af)
	Power consumption: Max. 11 W
Dimensions (∅ x H)	∅125x 43.7 mm (∅4.9" x 1.7")
Weight	0.39kg(0.86lb)

Working Environment	-40°C ~60°C (-40°F ~ 140°F), Humidity ≤ 95% RH
Vandal Resistant	IK10
Ingress Protection	IP66

Dimensions



Zhejiang Uniview Technologies Co., Ltd.

Building No.10, Wanlun Science Park, Jiangling Road 88, Binjiang District, Hangzhou, Zhejiang, China (310051)

Email: overseasbusiness@uniview.com; globalsupport@uniview.com

<http://www.uniview.com>

©2016-2017 Zhejiang Uniview Technologies Co., Ltd. All rights reserved.

*Product specifications and availability are subject to change without notice.